

SECTION

TITLE

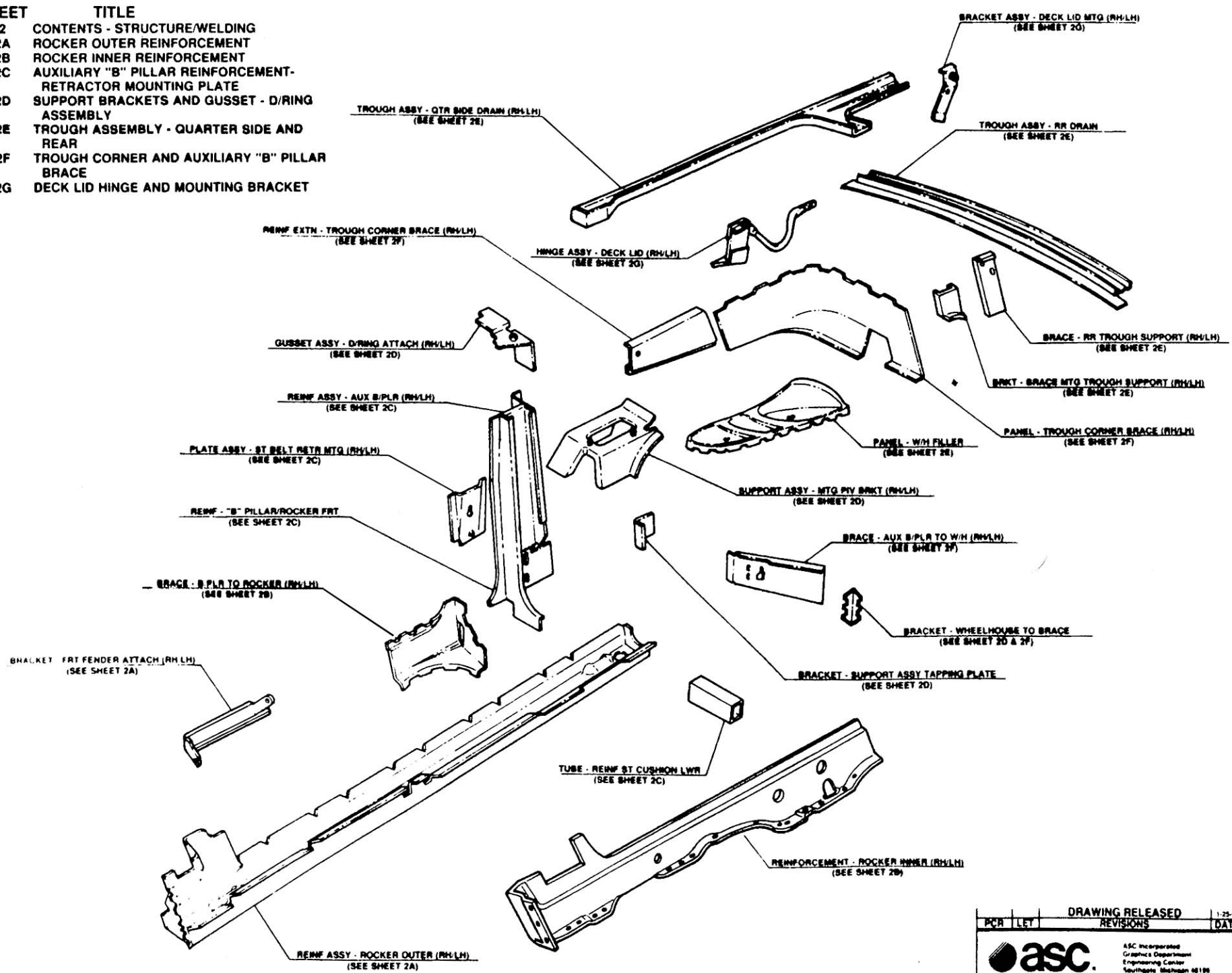
1. CONTENTS
2. STRUCTURE COMPONENTS
3. SEALING
4. TOP STACK COMPLETE
5. INTERIOR TRIM
6. EXTERIOR TRIM

1991 5 UPDATE

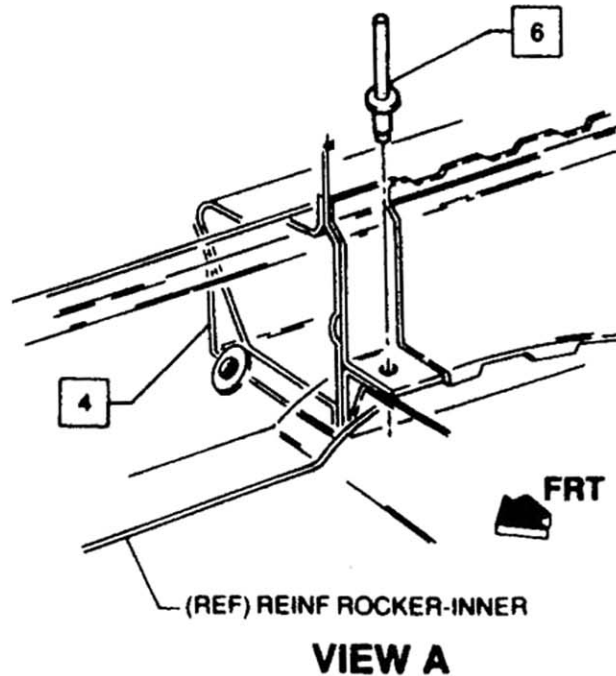
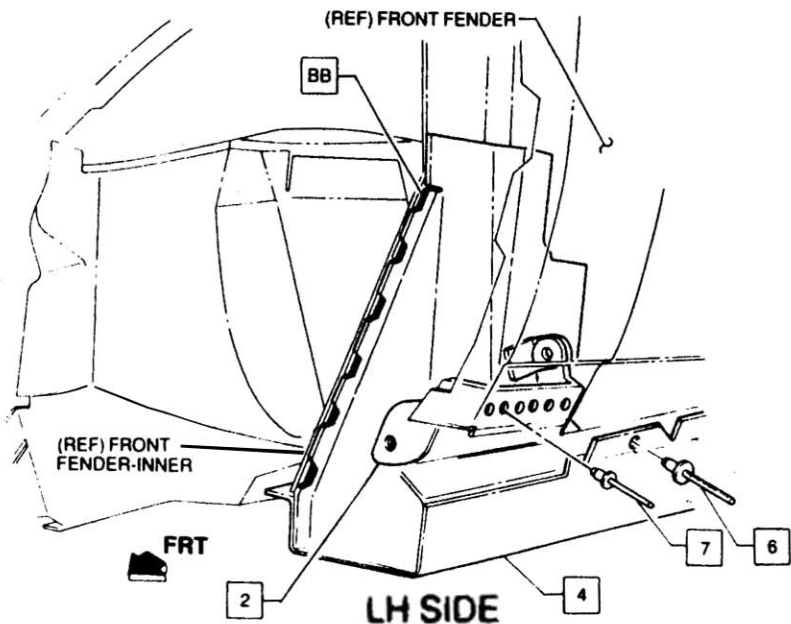
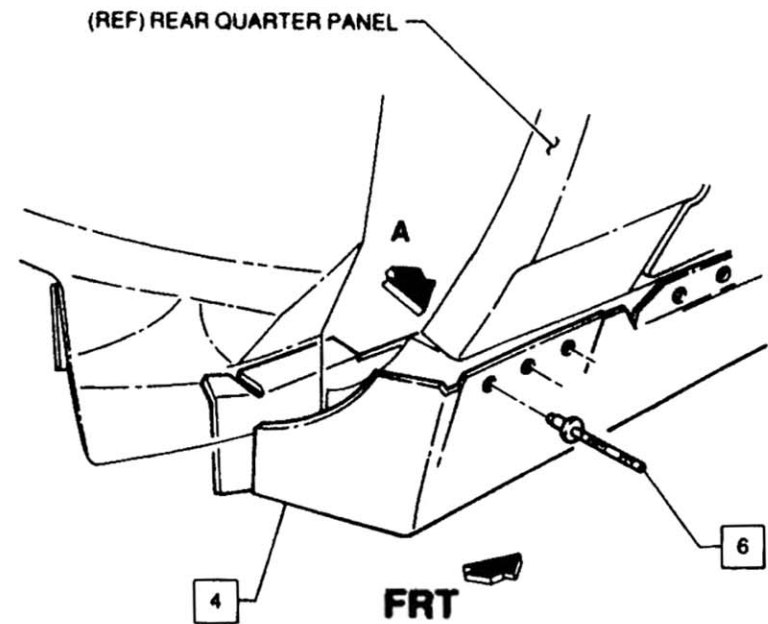
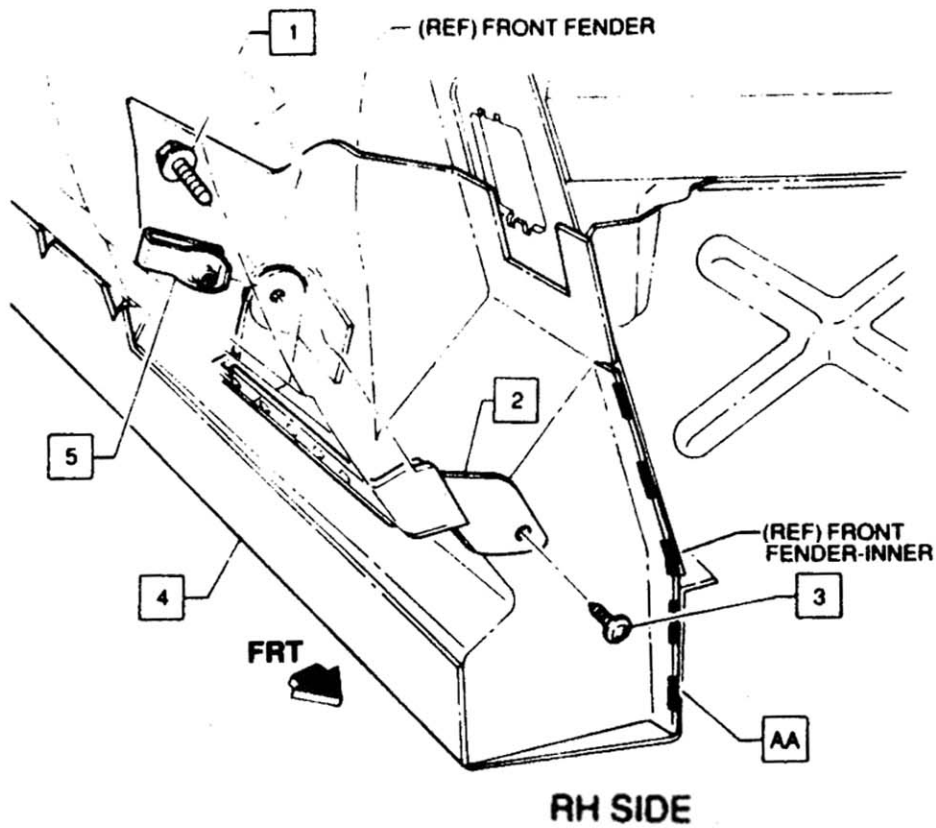
TOM

DRAWING RELEASED		DATE FOR
PCW (LET)		DATE FOR
ASC Incorporated Orlando Department Engineering Center Kempwood, Orlando, FL 32816		1-10-91
1991 5 "F" BODY CONVERTIBLE CONTENTS		16 0000.000 16 0000.000
A-27X0-4960-AXXX		C. WOODR D. SCHMIDT
SHEET 1		

SHEET	TITLE
2	CONTENTS - STRUCTURE/WELDING
2A	ROCKER OUTER REINFORCEMENT
2B	ROCKER INNER REINFORCEMENT
2C	AUXILIARY "B" PILLAR REINFORCEMENT- RETRACTOR MOUNTING PLATE
2D	SUPPORT BRACKETS AND GUSSET - D/RING ASSEMBLY
2E	TROUGH ASSEMBLY - QUARTER SIDE AND REAR
2F	TROUGH CORNER AND AUXILIARY "B" PILLAR BRACE
2G	DECK LID HINGE AND MOUNTING BRACKET



DRAWING RELEASED		1-25-81	MO	DR	CK	APP
PCH	LET	REVISIONS	DATE	DR	CK	APP
		ASC Incorporated Graphics Department Engineering Center Southgate Michigan 48196		1-25-81 M. BSOLAU MONTOOMERY C. WEBER S. BISHOP		
1991.5 "F" BODY CONVERTIBLE CONTENTS - STRUCTURE/WELDING						
A-27X0-4960-AXXX SHEET 2						



Ref	ASC Part No	Description	GM
1	X - 0090 - 1922 - KWVX	SCR & WSHR ASSY (M6 X 1.0 x 20.0)	11902941
2	W - 27X0 - 0692	BRKT - FRONT FENDER ATTACHING (RH) (LH)	12904778
3	X - 0090 - 0173 - KW9X	SCREW (8 - 18 x 50)	20904777
4	A - 27X0 - 3642	REINF ASSY - ROCKER OUTER (RH) (LH)	12508448
5	X - 0090 - 1303 - XZTX	NUT - U TYPE	11903718
6	X - 0090 - 3290 - KZTX	RIVET (263 x 825)	
7	X - 0090 - 0190 - XXXX	RIVET (1.8 x 375)	

WELD INFORMATION

SYM	TYPE	QTY	SIZE	CLASS	LOCATION
AA	MIG	5	1.0mm	B	4 TO (REF) FRONT FENDER - INNER
BB	MIG	6	1.0mm	B	4 TO (REF) FRONT FENDER - INNER

WELD CLASSIFICATION
 A - FMVSS
 B - STRUCTURAL

NOTE: ALL COMPONENTS MUST FIT NET TO 2 MM MAX. GAP TO SHEET METAL AT ALL MIG WELD LOCATIONS

SERVICE ONLY

W - 27X0 - 0622/23 PKG - FRT FOR MODIFICATION (RH/LH) 1290740/41

CONSISTS OF:

W - 27X0 - 3641 INSTR SHEET - FRT FOR MODIFICATION

2

DRAWING RELEASED 1-25-91

asc

1991.5 "F" BODY CONVERTIBLE
 ROCKER OUTER REINFORCEMENT

A-27X0-4960-A XXX SHEET 2A

REVISIONS

DATE

BY

CHK

APP

1-30-91

11/17/91

BY

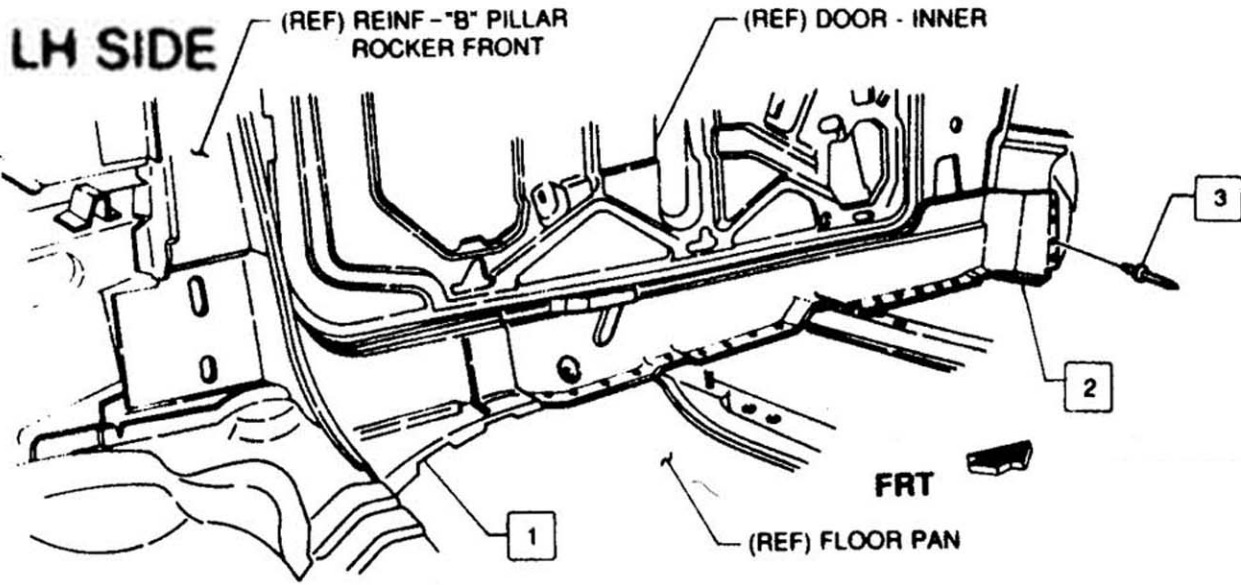
1 MOORADIAN

BY

C WEBER

BY

B DEHMON

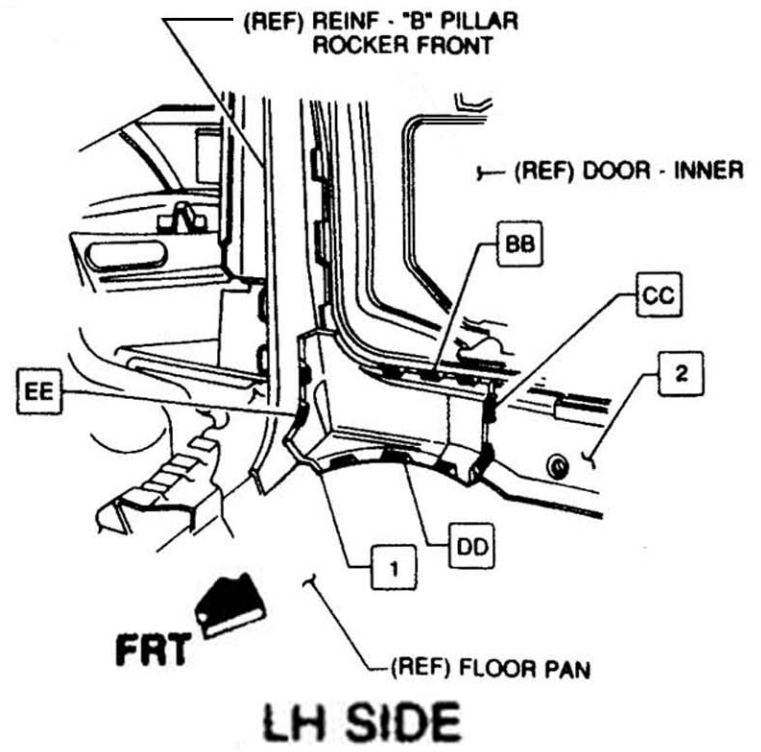
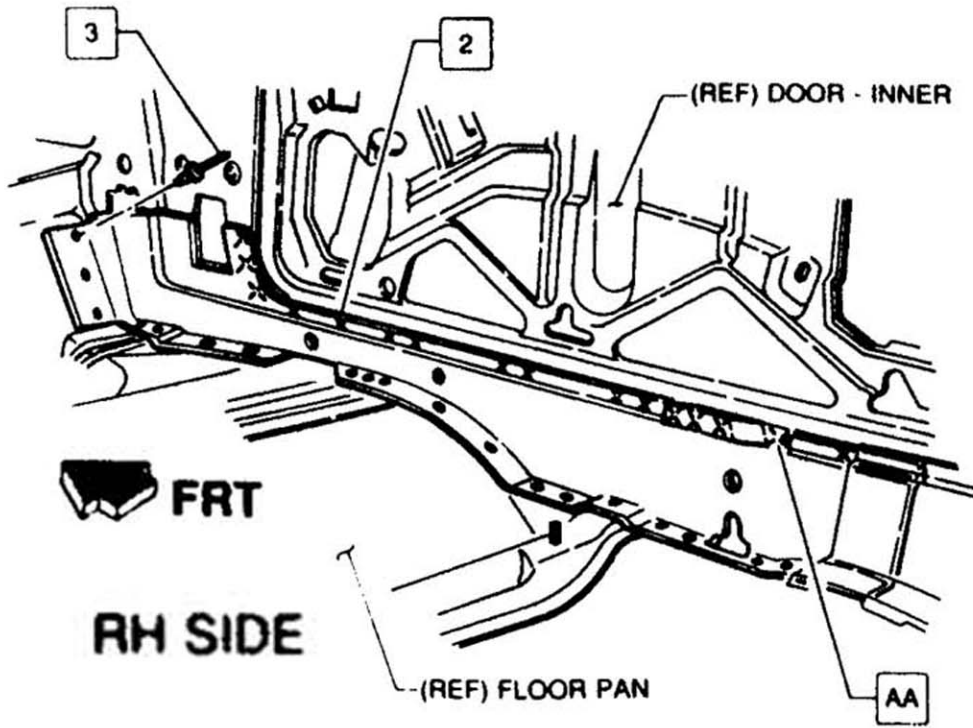


Ref	ASC Part No	Description	GM
1	W - 27X0 - 3580	BRACE - B/PLR TO ROCKER (RH)	12994774
	W - 27X0 - 3881	(LH)	12994773
2	W - 27X0 - 7178	REINF - ROCKER INNER (RH)	12997849
	W - 27X0 - 7177	(LH)	12996029
3	X - 9590 - 3292 - KZTK	RIVET (235 x 425)	

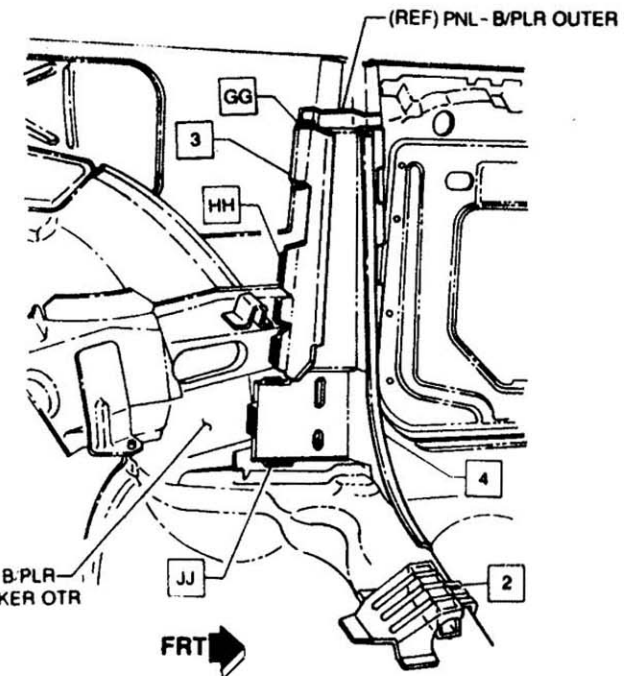
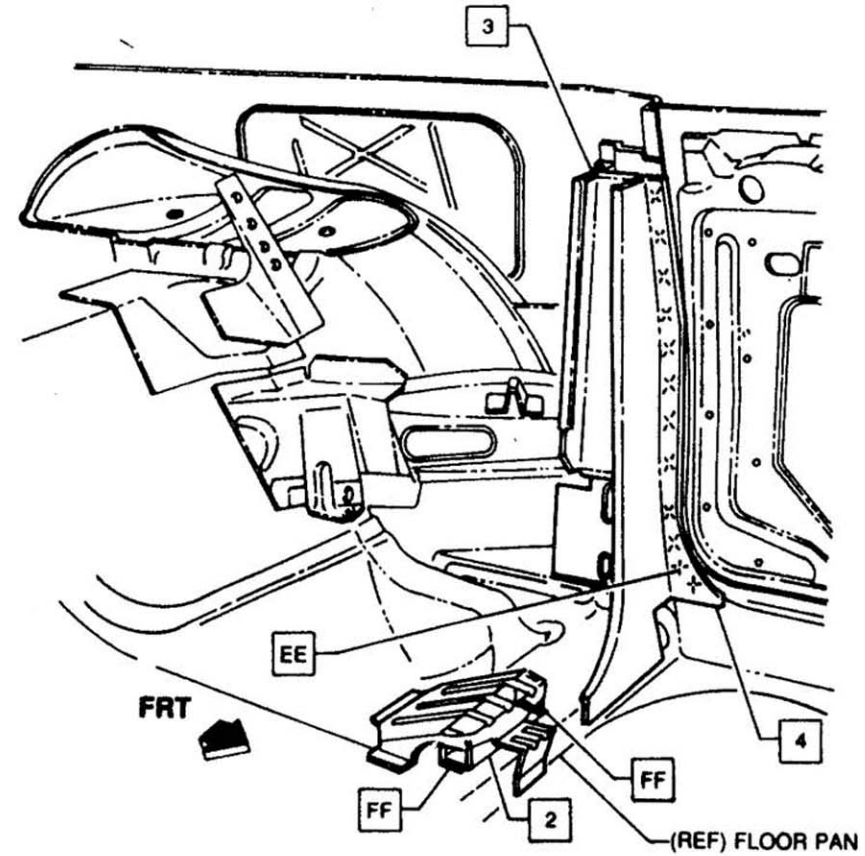
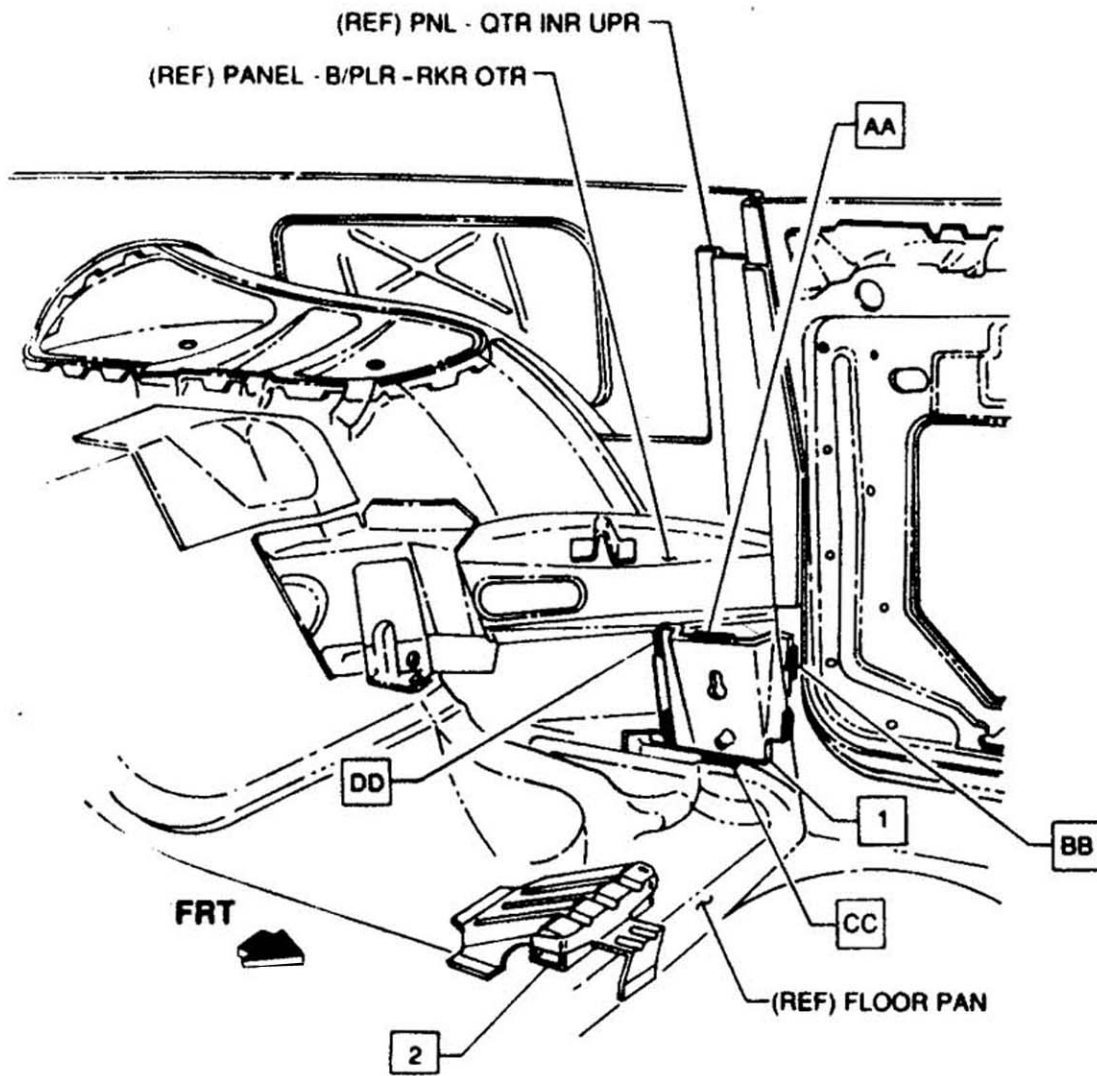
WELD INFORMATION

SYM	TYPE	QTY	SIZE	CLASS	LOCATION
AA	SPOT	16	---	B	2 TO (REF) ROCKER INNER
BB	MG	3	1.5mm	B	1 TO (REF) ROCKER INNER
CC	MG	2	1.5mm	B	1 TO 2
DD	MG	3	1.5mm	B	1 TO (REF) FLOOR PAN
EE	MG	2	1.8mm	B	1 TO (REF) REINF - B/PLR RKR FRT

WELD CLASSIFICATION
 A - FMVBS
 B - STRUCTURAL
 NOTE: ALL COMPONENTS MUST FIT NET TO 2MM MAX GAP TO SHEET METAL AT ALL MG WELD LOCATIONS



DRAWING RELEASED		1-28-91	MB	1-28-91
PCR	LET	REVISIONS	DATE	DR
		ASI Incorporated Graphic Department Engineering Center Southgate Michigan 48194		COMPLIANCE DATA 1-28-91 DRAWING BY M OSOLAU TRACE REVIEW BY MONTGOMERY CHECKED BY C. WEBER APPROVED BY S. WEBBORS
1991.5 "F" BODY CONVERTIBLE ROCKER INNER REINFORCEMENT				
A-27X0-4960-AXXX				SHEET 2B



Ref	ASC Part No	Description	GM
1	W - 27X0 - 7414	PLATE ASSY - ST BELT RETN MTG (RH)	1290480
	(LH)		12904801
2	V - 27X0 - 6624	TUBE - RENF SEAT CUSHION LWR	1290180
3	T - 27X0 - 3582	RENF ASSY - AUX B/PLR (RH)	1290042
	(LH)		1290043
4	W - 27X0 - 3252	RENF - B/PLR ROCKER FRT (RH)	12908124
	(LH)		12908126

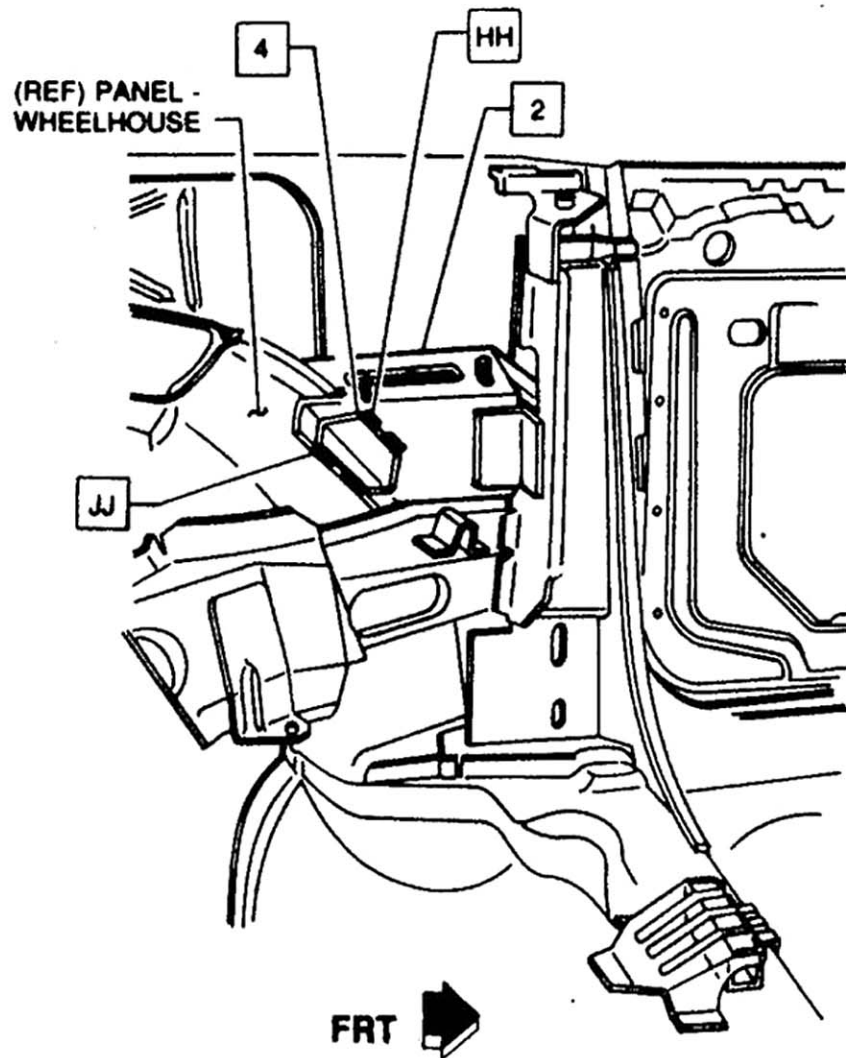
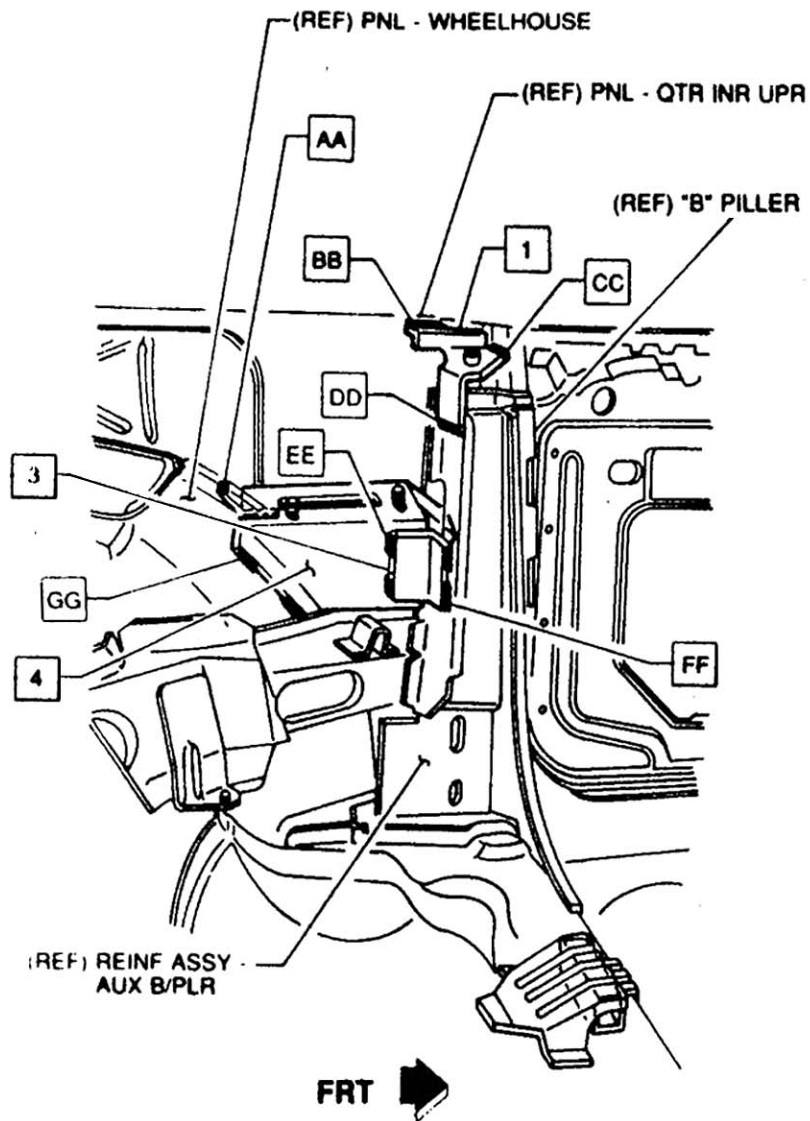
WELD INFORMATION

SYM	TYPE	QTY	SIZE	CLASS	LOCATION
AA	MG	1	1.5mm	A	1 TO (REF) PNL - B/PLR RKR OTR
BB	MG	2	1.5mm	B	1 TO (REF) PNL - QTR INR UPR
CC	MG	1	1.5mm	A	1 TO (REF) FLOOR PAN
DD	MG	2	1.5mm	B	1 TO (REF) PNL - B/PLR RKR OTR
EE	SPOT	12	-	B	4 TO (REF) PNL - B/PLR OTR
FF	MG	2	1.0mm	A	2 TO (REF) FLOOR PAN
GG	MG	2	1.5mm	B	2 TO (REF) PNL - B/PLR OTR
HH	MG	3	1.5mm	A	3 TO (REF) PNL - B/PLR RKR OTR
JJ	MG	2	1.8mm	B	2 TO (REF) PNL - B/PLR RKR OTR

WELD CLASSIFICATION
 A - FMVSS
 B - STRUCTURAL

NOTE: ALL COMPONENTS MUST FIT NET TO 2 MM MAX GAP TO SHEET METAL AT ALL MG WELD LOCATIONS

DRAWING RELEASED		1-28-91	REV	DATE	BY	CHK	APP
FOR LET	REVISION						
		ASC Incorporated Graphic Department Engineering Center Buickpark Morgan 68198		1-28-91 T. BILYON C. WISER G. BISHOP			
1991.5 "F" BODY CONVERTIBLE AUXILIARY "B" PILLAR REINFORCEMENT - RETRACTOR MOUNTING PLATE							
A-27X0-4960-AXXX				SHEET 2C			



Ref	ASC Part No	Description	GM
1	T - 27X0 - 2706	GUSSET - DRING ATTACHING (RH)	12282801
	T - 27X0 - 2707	(LH)	12282802
2	A - 27X0 - 7908	SUPPORT ASSY - NTQ PIVOT BRKT (RH)	
	A - 27X0 - 7909	(LH)	
3	B - 27X0 - 1486	BRKT - SUPPORT ASSY TAPPING PLATE	12331731
4	T - 27X0 - 2824	BRKT - WHEELHOUSE TO BRACE	12331738

WELD INFORMATION

SYM	TYPE	QTY	SIZE	CLASS	LOCATION
AA	MIQ	1	1.0mm	B	2 TO (REF) PNL - WHEELHOUSE
BB	MIQ	1	1.0mm	B	1 TO (REF) PNL - QTR INR UPR
CC	MIQ	1	1.0mm	B	1 TO (REF) 'B' PILLAR
DD	MIQ	2	1.0mm	B	1 TO (REF) REINF ASSY - AUX B/PLR
EE	MIQ	1	2.5mm	B	3 TO 2
FF	MIQ	1	2.5mm	B	3 TO (REF) REINF ASSY - AUX B/PLR
GG	MIQ	2	1.5mm	B	2 TO (REF) PANEL - WHEELHOUSE
HH	MIQ	2	1.5mm	B	4 TO 2
JJ	MIQ	2	1.5mm	B	4 TO (REF) PANEL - WHEELHOUSE

WELD CLASSIFICATION
 A - FMVSS
 B - STRUCTURAL

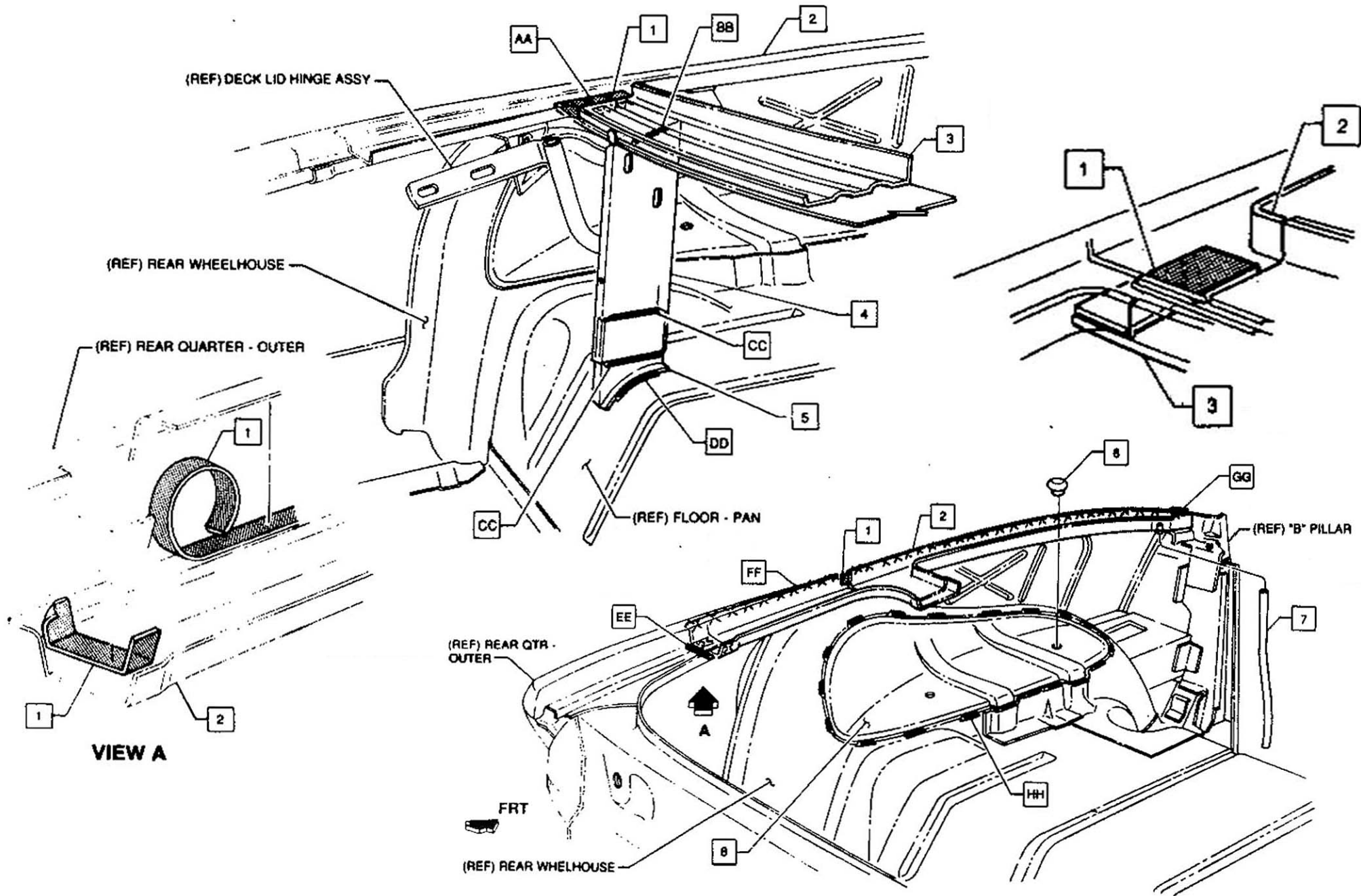
NOTE: ALL COMPONENTS MUST FIT NET TO 2 MM MAX GAP TO SHEET METAL AT ALL MIQ WELD LOCATIONS

PCR	LET	REVISIONS	DATE	DR	CK	APP

asc ASH Incorporated
 1991.5 "F" BODY CONVERTIBLE
 SUPPORT BRACKETS AND GUSSET - DRING ASSEMBLY

A-27X0-4960-AXXX SHEET 2D

DATE	1-28-01
BY	DR
CHKD	CK
APPD	APP
DATE	1-28-01
BY	B. WELLS
CHKD	BY
APPD	BY
DATE	
BY	C. WEBER
CHKD	BY
APPD	BY



Ref	ASC Part No	Description	GM
1	X - 4680 - 0182 - AXXX	TAPE - WELD THRU	9891390
2	W - 2730 - 3152	TROUGH ASSY - QTR SIDE DRAIN (RH)	12804784
		(LH)	12804788
3	B - 2736 - 3292	TROUGH ASSY - REAR DRAIN	12331713
4	T - 2730 - 8428	BRACE - REAR TROUGH SUPPORT (RH)	12384881
		(LH)	12384882
5	U - 2730 - 2696	BRKT - BRACE INTO TROUGH SLEPT (RH)	12384883
		(LH)	12384884
6	X - 6080 - 1487 - XXXX	PLUG - RECESSED BUTTON HEAD	12384885
7	A - 2730 - 3487	MOUL - DRAIN	12384886
8	T - 2730 - 7208	PANEL - WHEELHOUSE FILLER (RH)	12384887
		(LH)	12384888

WELD INFORMATION

SYM	TYPE	QTY	SIZE	CLASS	LOCATION
AA	SPOT	6	—	B	2 TO 3
BB	MIG	1	2.0mm	B	3 TO 4
CC	MIG	2	2.0mm	B	4 TO 5
DD	MIG	1	2.0mm	B	5 TO (REF) FLOOR - PAN
EE	MIG	1	2.0mm	B	2 TO (REF) REAR QTR - QTR
FF	SPOT	22	—	B	2 TO (REF) REAR QTR - QTR
GG	MIG	1	1.0mm	B	2 TO (REF) "B" PILLAR
HH	MIG	1	1.0mm	B	1 TO (REF) REAR WHEELHOUSE

WELD CLASSIFICATION NOTE: ALL COMPONENTS MUST FIT NET TO 2 MM MAX GAP
 A - FINISH TO SHEET METAL AT ALL MIG WELD LOCATIONS
 B - STRUCTURAL

DRAWING RELEASED

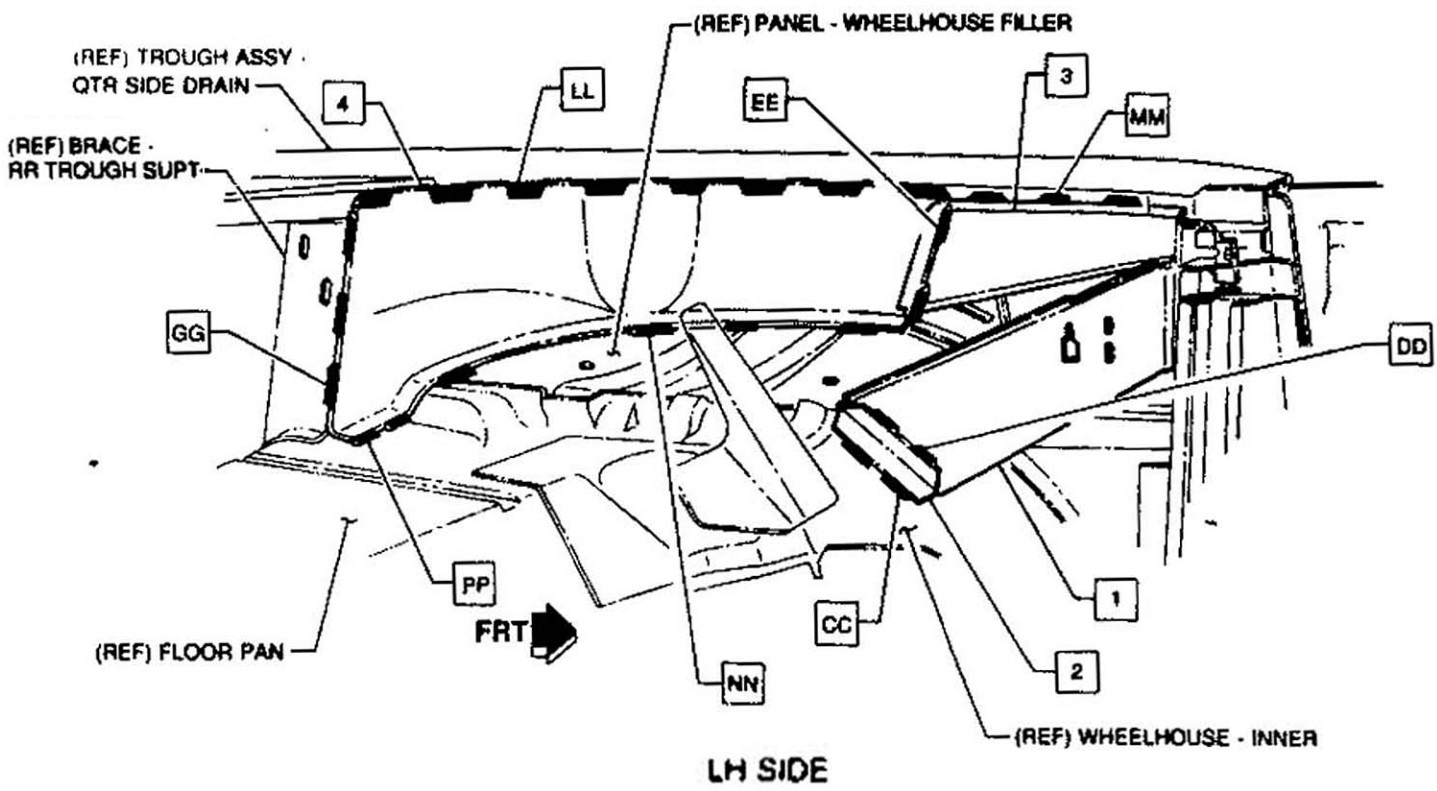
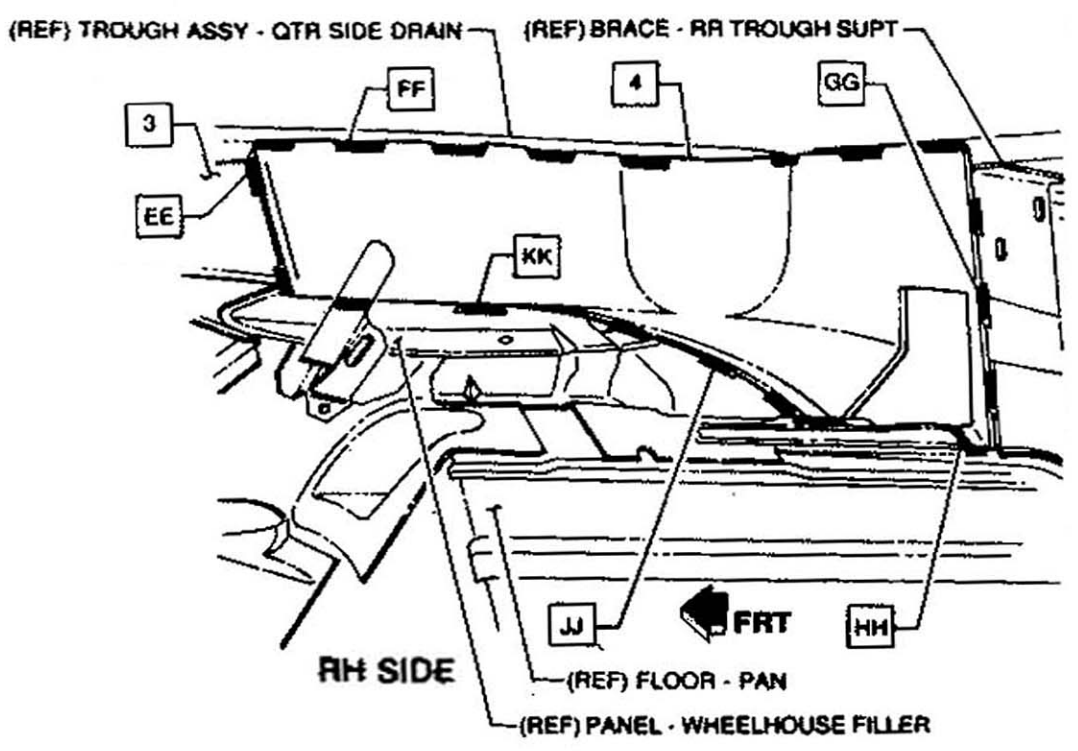
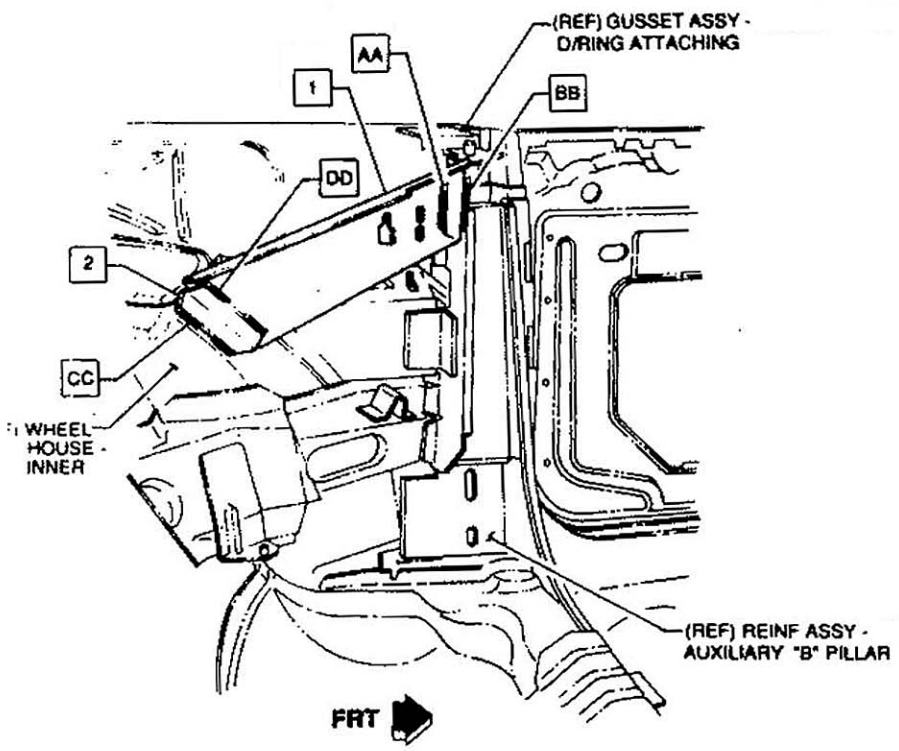
DATE	1-26-91	BY	ASC
REVISED		DATE	

asc.

ASC Incorporated
 Drafting Department
 Engineering Center
 Southgate, Michigan 48196

1991.5 "F" BODY CONVERTIBLE
 TROUGH ASSEMBLY - QUARTER SIDE AND REAR

A-27X0-4960-AXXX SHEET 2E



Ref	ASC Part No	Description	GM
1	T - 2720 - 2422	BRACE - AUX B/PLA TO WH (RH)	12531724
	T - 2720 - 2422	(LH)	12531725
2	T - 2720 - 2924	BRKT - WHEELHOUSE TO BRACE	12531726
3	T - 2720 - 2288	REINF EXTN - TROUGH CORNER BR (RH)	12531718
	T - 2720 - 2287	(LH)	12531719
4	T - 2720 - 3174	PNL - TROUGH CORNER BRACE (RH)	12531721
	W - 2720 - 3173	(LH)	12531722

WELD INFORMATION

SYM	TYPE	QTY	SIZE	CLASS	LOCATION
AA	MIG	1	2.0mm	B	1 TO (REF) GUSSET ASSY - D/RING ATTACH
BB	MIG	1	2.0mm	B	1 TO (REF) REINF ASSY - AUX B/PLA
CC	MIG	2	1.5mm	B	2 TO (REF) WHEELHOUSE - INNER
DD	MIG	2	1.5mm	B	2 TO 1
EE	MIG	2	1.5mm	B	4 TO 3
FF	MIG	2	1.5mm	B	4 TO (REF) TROUGH ASSY - QTR SIDE DRAIN
GG	MIG	2	1.5mm	B	4 TO (REF) BRACE - RR TROUGH SUPT
HH	MIG	2	1.5mm	B	4 TO (REF) FLOOR PAN
JJ	MIG	2	1.5mm	B	4 TO (REF) FLOOR PAN
KK	MIG	3	1.5mm	B	4 TO (REF) PNL - WH FILLER
LL	MIG	2	1.5mm	B	4 TO (REF) TROUGH ASSY - QTR SIDE DRAIN
MM	MIG	2	1.5mm	B	3 TO (REF) TROUGH ASSY - QTR SIDE DRAIN
NN	MIG	4	1.5mm	B	4 TO (REF) PNL - WH FILLER
PP	MIG	2	1.5mm	B	4 TO (REF) FLOOR PAN

WELD CLASSIFICATION
 A - PHYSICAL
 B - STRUCTURAL
 NOTE: ALL COMPONENTS MUST FIT NET TO 2 MM MAX GAP TO SHEET METAL AT ALL MIG WELD LOCATIONS

DRAWING RELEASED

DATE	1-25-91	BY	...
DATE	...	BY	...

asc.

1991.5 "F" BODY CONVERTIBLE
 TROUGH CORNER AND AUXILIARY "B" PILLAR BRACE

A-27X0-4960-XXXX

(REF) TROUGH ASSY -
QTR SIDE DRAIN

(REF) PANEL - WHEEL
HOUSE FILLER

(REF) W/H -
FLANGE

(REF) WHEEL
HOUSE INNER

(REF) TROUGH ASSY -
QTR SIDE DRAIN

(REF) SLIP
FLANGE

(REF) PANEL -
WHEELHOUSE
FILLER

Ref	ASC Part No	Description	GM
1	B - 27X0 - 0824	BRKCT ASSY - DECK LID MTO (RH)	12231731
2	B - 27X0 - 0825	(LH)	12231732
3	A - 27X0 - 8648	HINGE ASSY - DECK LID (RH)	
	A - 27X0 - 8649	(LH)	

WELD INFORMATION

SYM	TYPE	QTY	SIZE	CLASS	LOCATION
AA	MIG	1	1.6mm	B	1 TO (REF) TROUGH ASSY - QTR SI DRAIN
BB	MIG	1	1.6mm	B	2 TO (REF) TROUGH ASSY - QTR SI DRAIN
CC	MIG	2	1.6mm	B	2 TO (REF) SLIP FLANGE
DD	MIG	2	1.6mm	B	(REF) SLIP FLG TO (REF) PNL - W/H FLL
EE	MIG	2	1.0mm	B	1 TO (REF) PNL - W/H FLLER
FF	MIG	1	1.6mm	B	3 TO (REF) TROUGH ASSY - QTR SI DRAIN
GG	MIG	1	2.5mm	B	1 TO (REF) TROUGH ASSY - QTR SI DRAIN
HH	MIG	2	2.5mm	B	1 TO (REF) WHEELHOUSE - INNER
JJ	MIG	1	1.6mm	B	(REF) W/H - FLG TO (REF) PNL - W/H FLL
KK	MIG	1	1.6mm	B	2 TO (REF) W/H - FLANGE

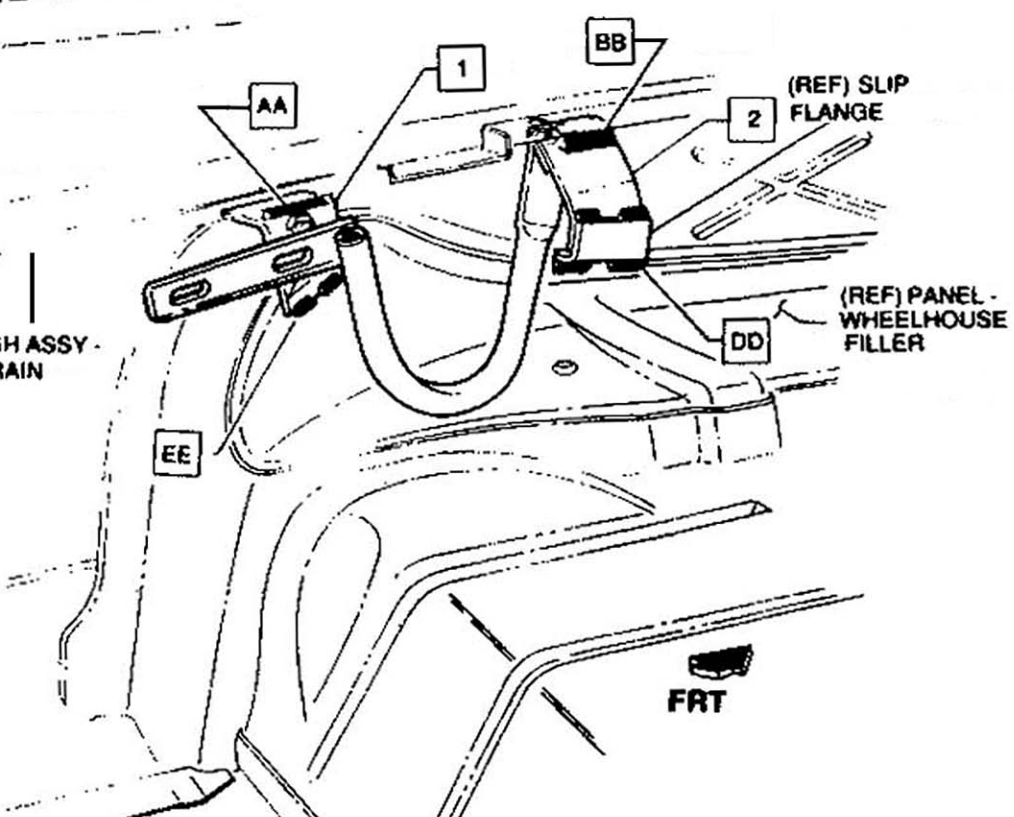
WELD CLASSIFICATION

A - FIPVBS


B - STRUCTURAL

NOTE: ALL COMPONENTS MUST FIT NET TO 2 MM MAX GAP
TO SHEET METAL AT ALL MIG WELD LOCATIONS

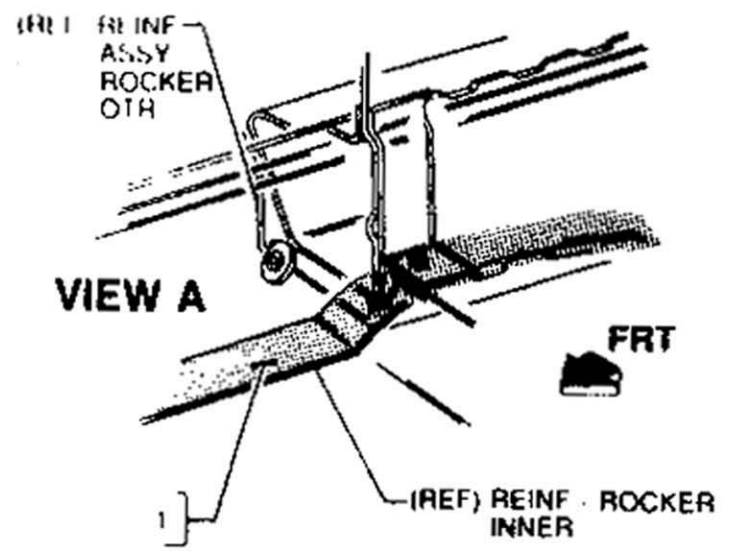
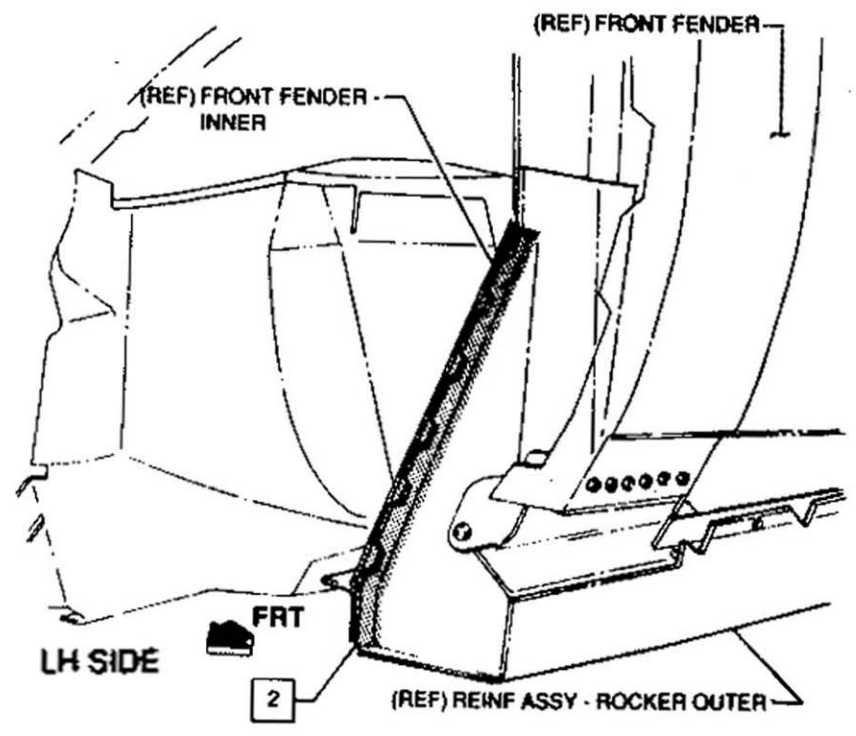
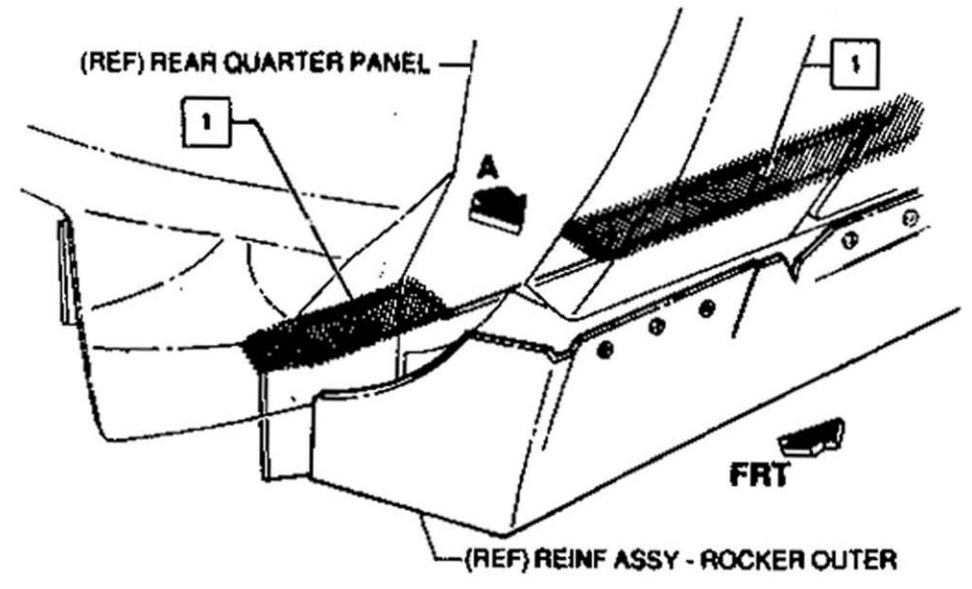
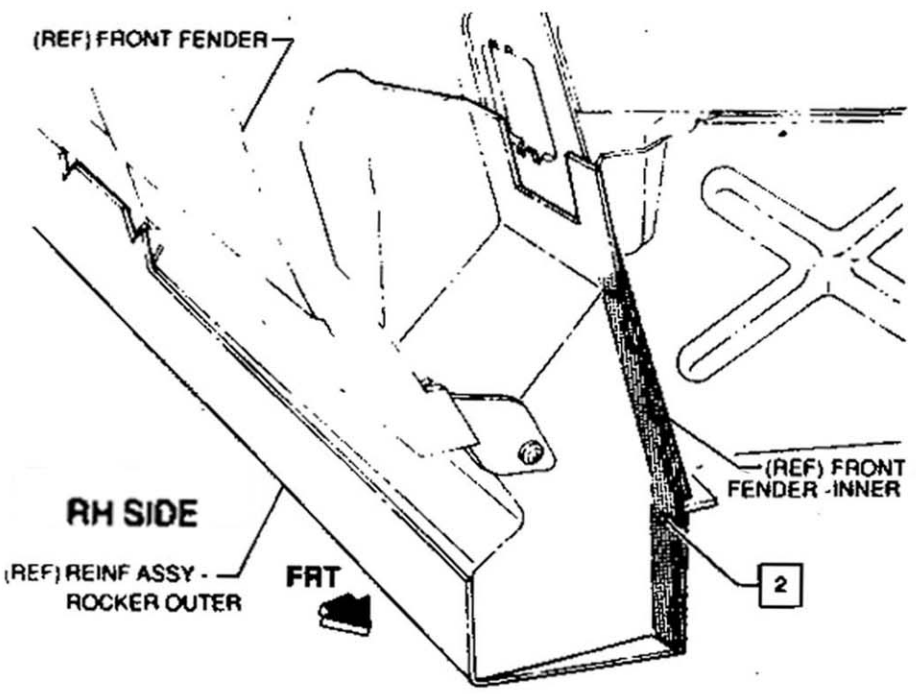
PCA	REVISED	DATE	BY
DRAWING RELEASED			
asc.			
ASC Incorporated Graphics Department Engineering Center Southfield, Michigan 48106			
1991.5 "F" BODY CONVERTIBLE DECK LID HINGE AND MOUNTING BRACKET			
A-27X0-4960-AXXX SHEET 2G			
-86-01 J. BOBBAU MONTROSEVILLE C. WEBER A. REMBOLD			



SHEET	TITLE
3	CONTENTS - SEALING
3A	SEALING - ROCKER OUTER REINFORCEMENT
3B	SEALING - ROCKER INNER REINFORCEMENT
3C	SEALING - AUXILIARY "B" PILLAR REINFORCEMENT - RETRACTOR MOUNTING PLATE
3D	SEALING - SUPPORT BRACKETS AND GUSSET - D/RING ASSEMBLY
3E	SEALING - TROUGH ASSEMBLY - QUARTER SIDE AND REAR
3F	SEALING - TROUGH CORNER AND AUXILIARY "B" PILLAR BRACE
3G	SEALING - DECK LID HINGE AND MOUNTING BRACKET

PCB	LET	REV	DATE	BY	CHK	APP
		DRAWING RELEASED		1-28-91	CV	
		REVISIONS				
		ASC Incorporated Graphics Department Engineering Center Southgate Michigan 48194		COMPLETION DATE 1-28-91		
				DRAWN BY C. WEBER		
TITLE		1991.5 "F" BODY CONVERTIBLE CONTENTS - SEALING		CHECKED BY S. VILLAROSA		
PART NUMBER		A-27X0-4960-AXXX SHEET 3		APPROVED BY S. VILLAROSA		

Ref	ASC Part No	Description	GM
1	X-9990-0620-AXXX	DEADENER - LIQUID	999470
2	X-9990-0533-BEEX	UNDERCOAT	



DRAWING RELEASED

asc

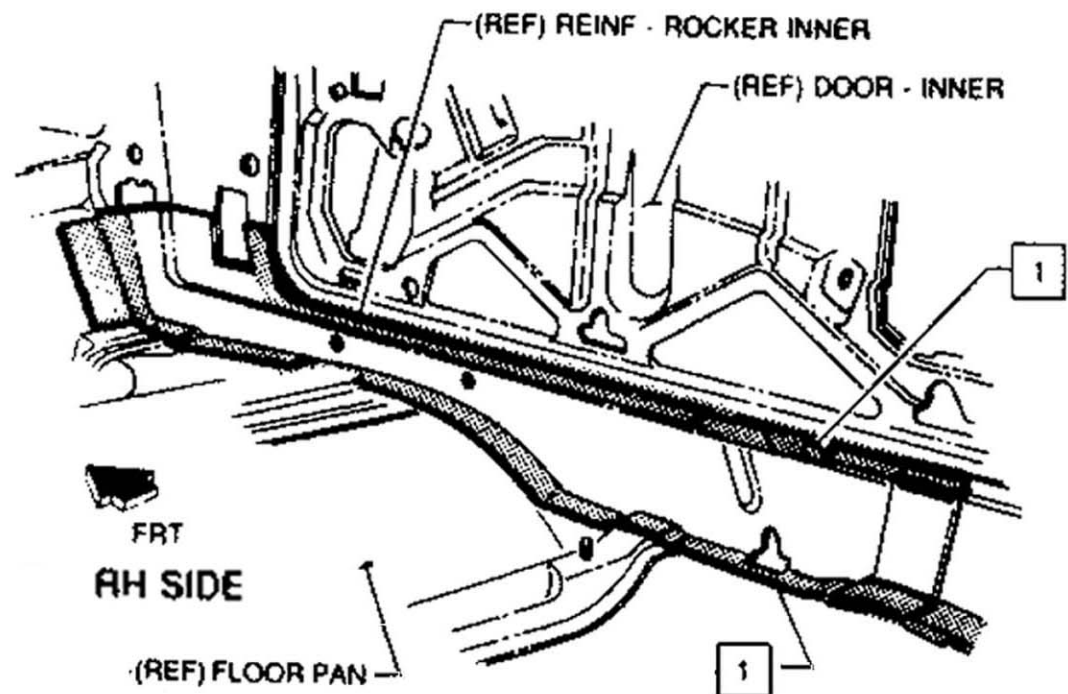
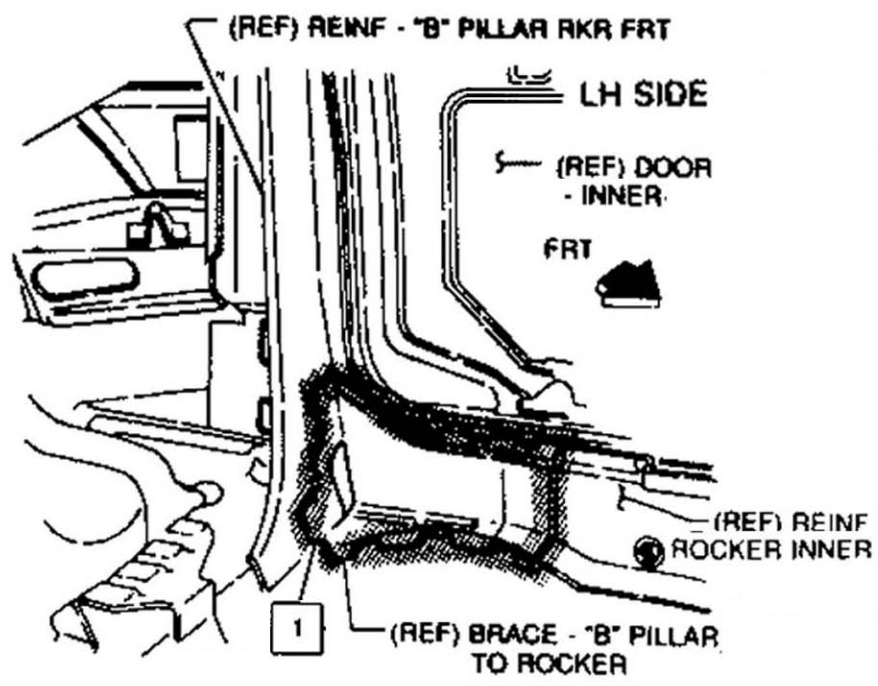
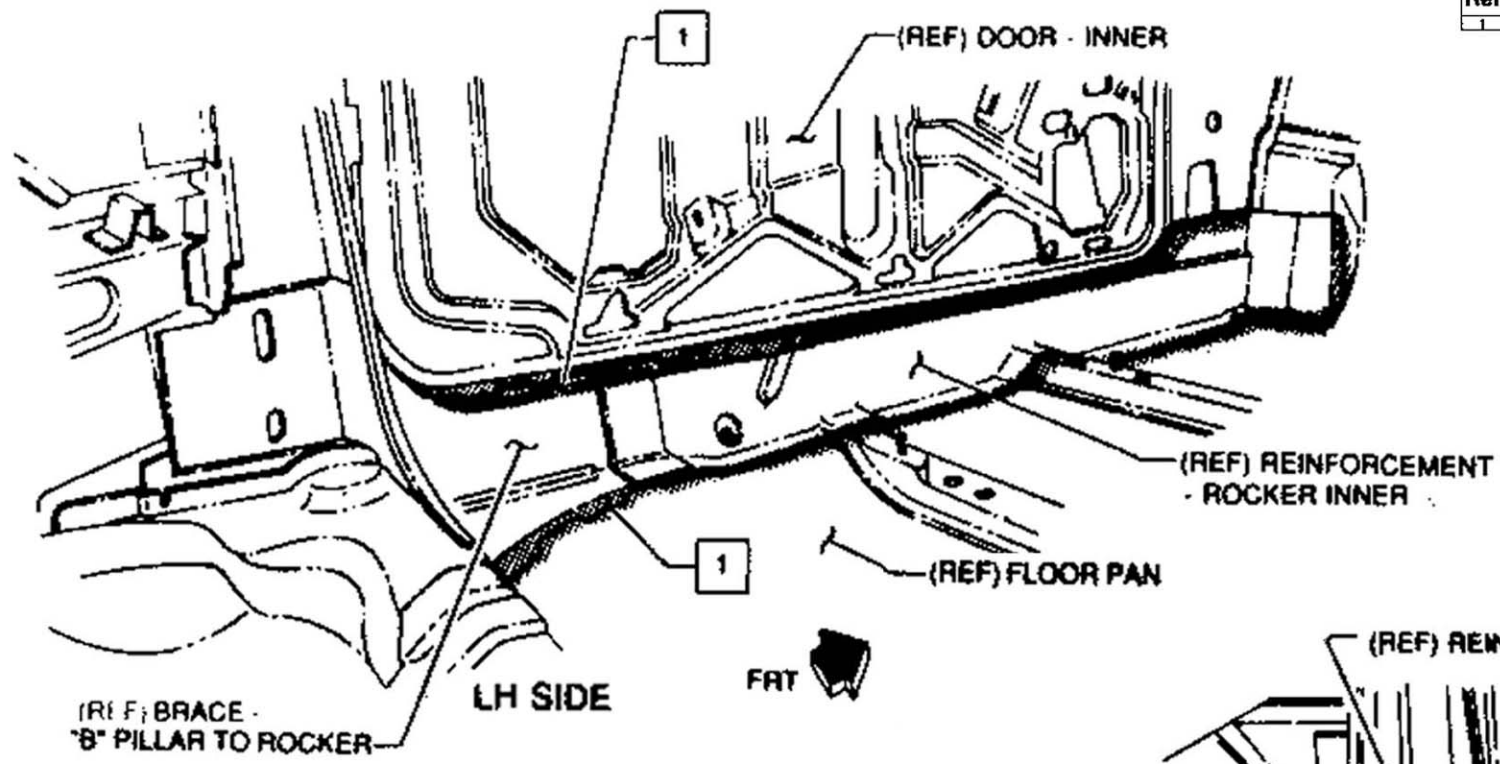
ASC Incorporated
Original Department
Engineering Center
Southgate, Michigan 48196

1991.5 "F" BODY CONVERTIBLE
SEALING - ROCKER OUTER REINFORCEMENT

A-27X0-4960-AXXX SHEET 3A

1-84-1
M. SOULAU
T. MOORADIAN
C. WEBER
S. BISHOP

Ref	ASC Part No	Description	GM
1	X-9960-0194-AXXX	SEALER - BRUSH ON	0001111



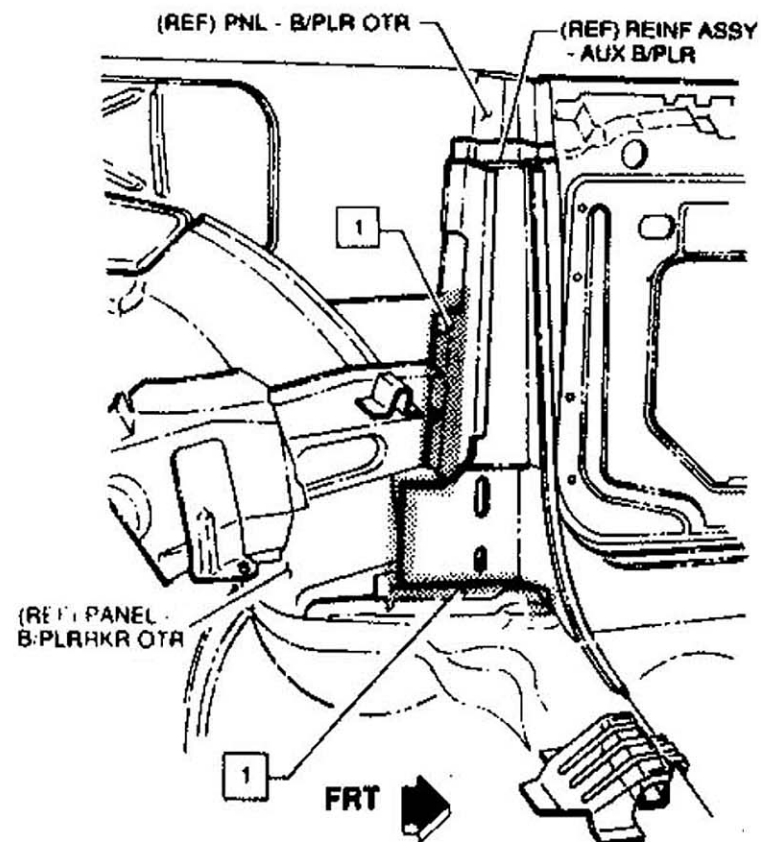
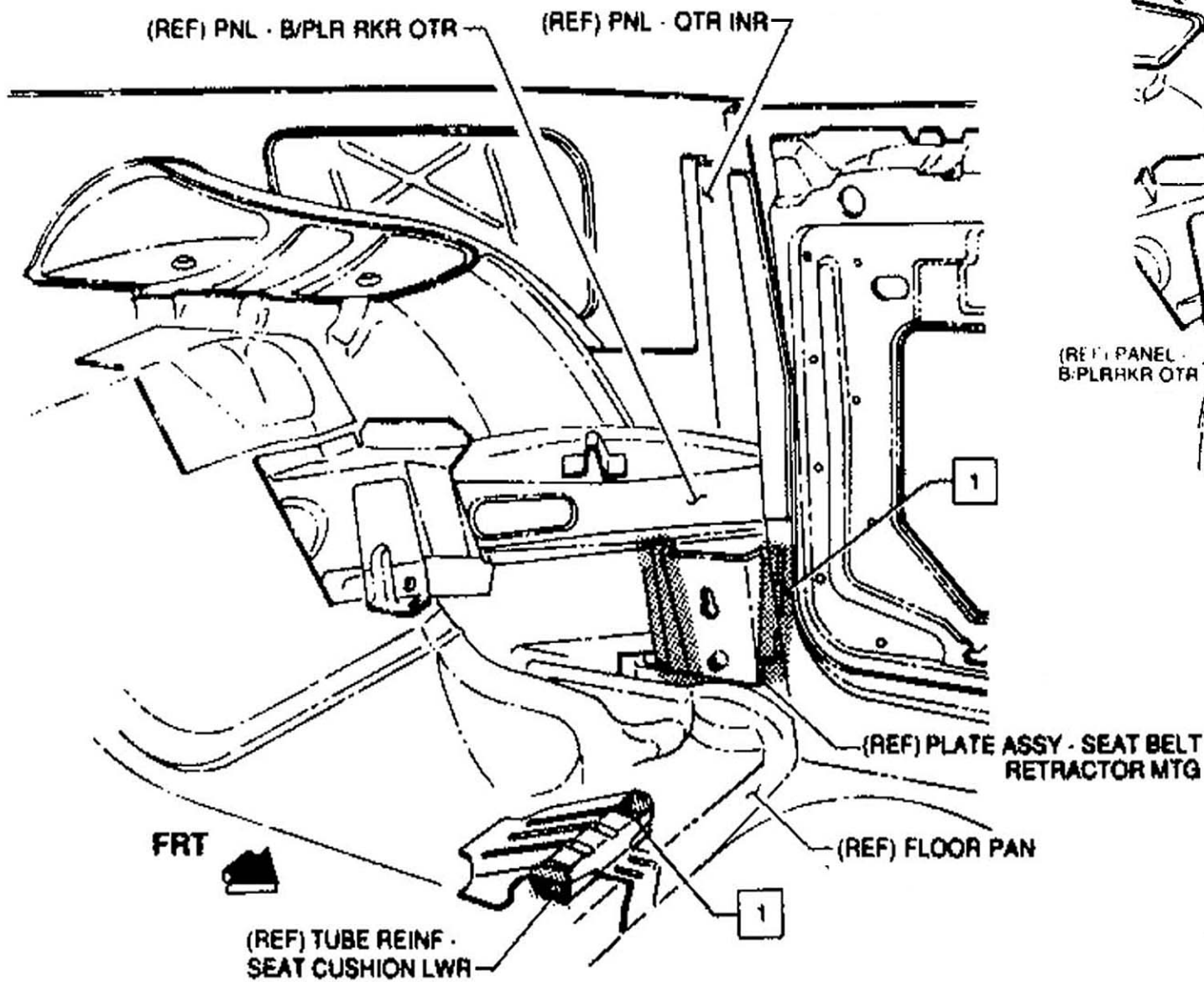
DRAWING RELEASED

asc. ASC Incorporated
 Engineering Department
 Engineering Center
 Warrendale, Michigan 48090

1-28-91
 E. HENLAU
 T. MORALES
 C. WOOD
 S. HARRISON

1991.5 "F" BODY CONVERTIBLE
 SEALING - ROCKER INNER REINFORCEMENT

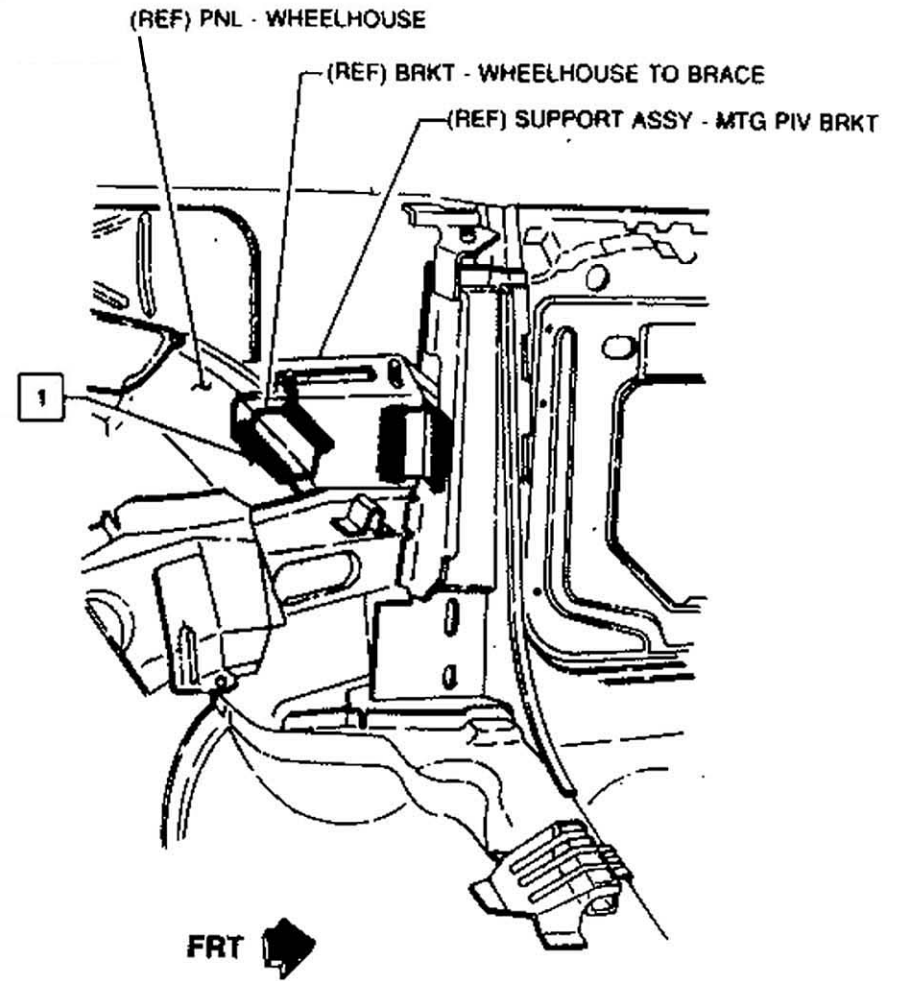
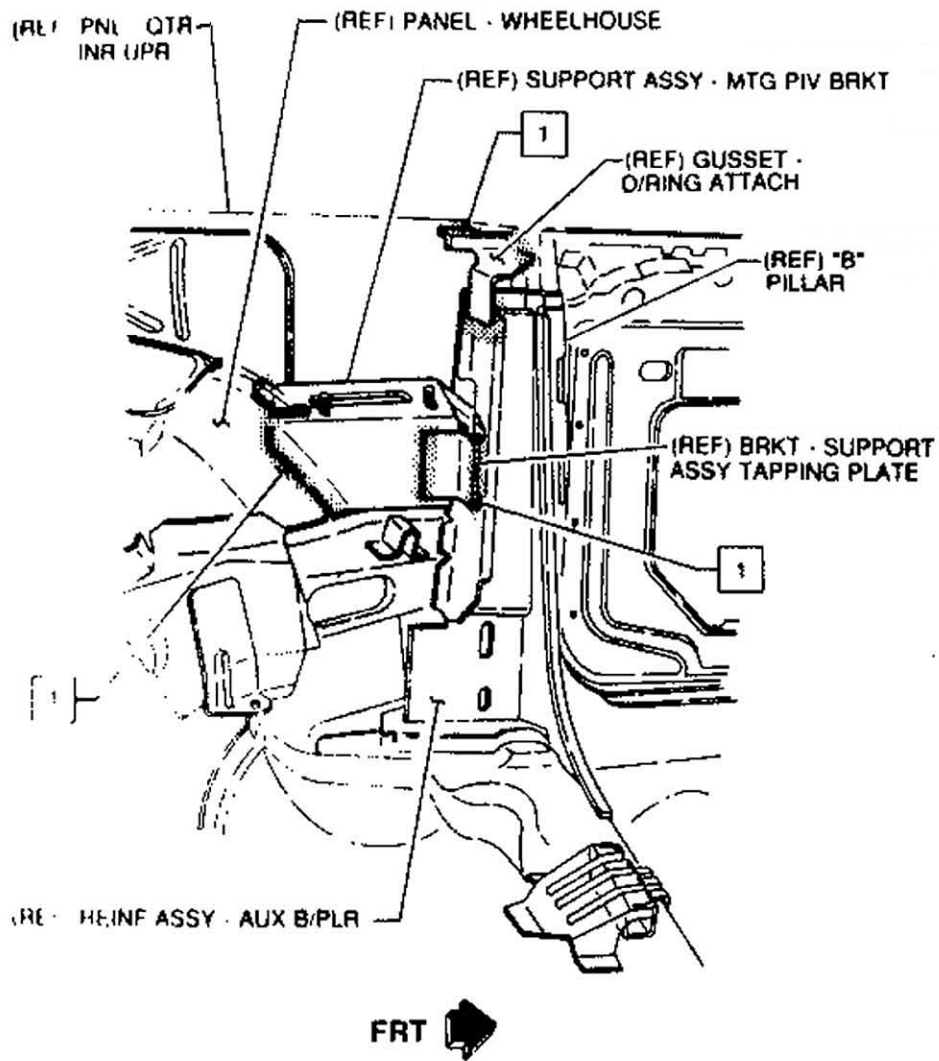
A-27X0-4960-AXXX SHEET 3B



Ref/ASC Part No	Description	GM
1 X 4999 9134 AXXX	SEALER - BRUSH ON	8991111

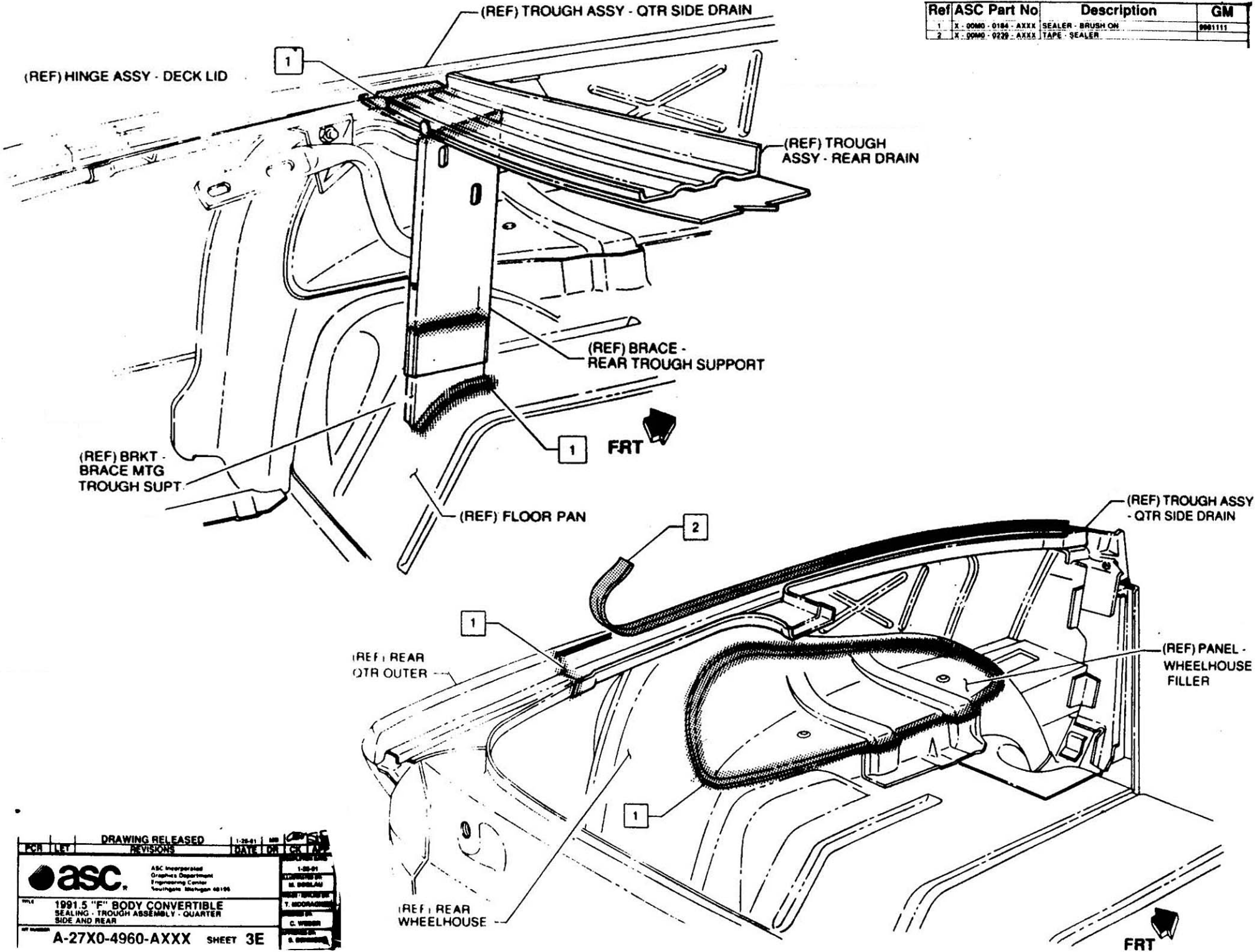
FOR LET	DRAWING RELEASED	DATE	BY
	REVISED		
		ASC Incorporated Graphics Department Engineering Center Southfield, Michigan 48116	
1991.5 "F" BODY CONVERTIBLE SEALING - AUXILIARY "B" PILLAR REINFORCEMENT - RETRACTOR MOUNTING PLATE		1. HOOVER 2. HOOVER 3. HOOVER 4. HOOVER	
A-27X0-4960-AXXX		SHEET 3C	

Ref	ASC Part No	Description	GM
1	GMW-9124	AXXX SEALER - BRUSH ON	991111

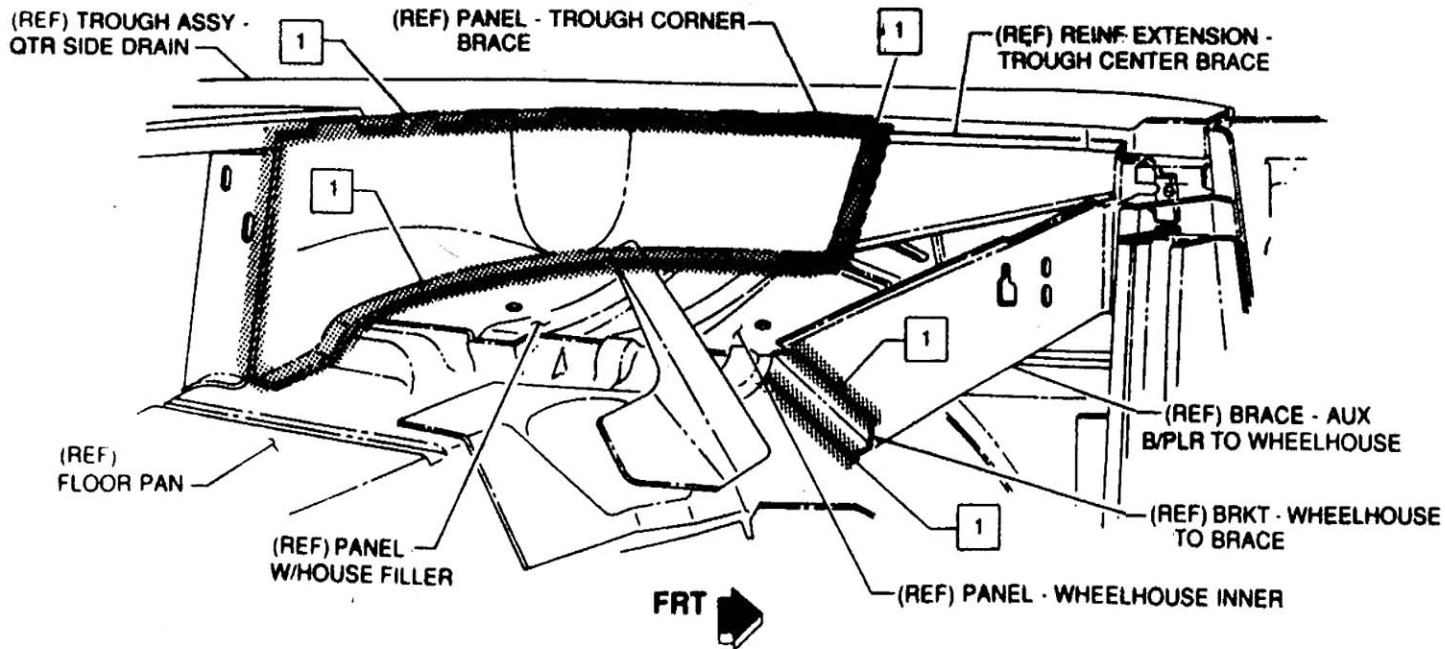
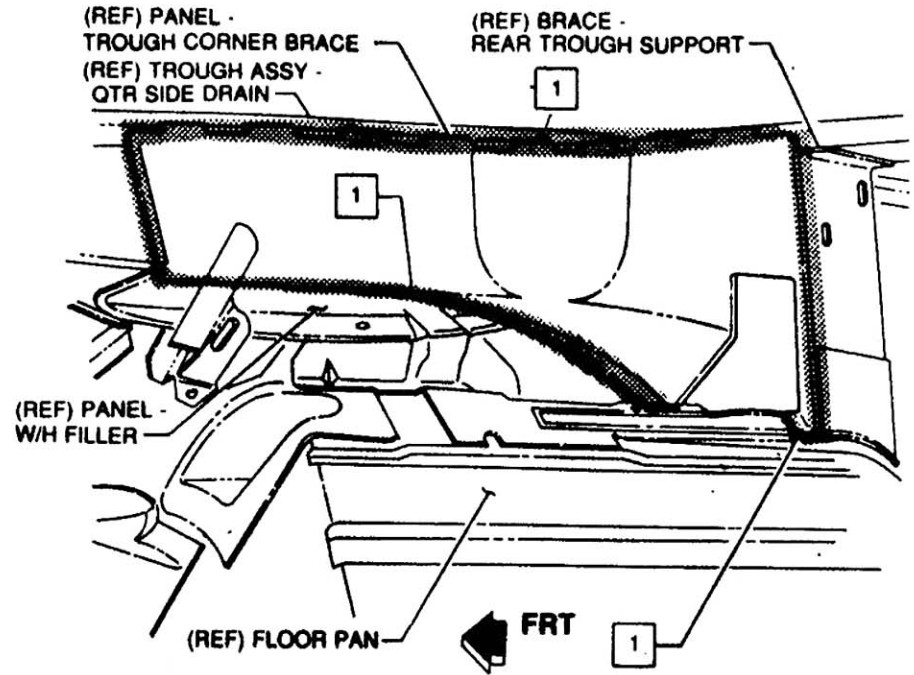
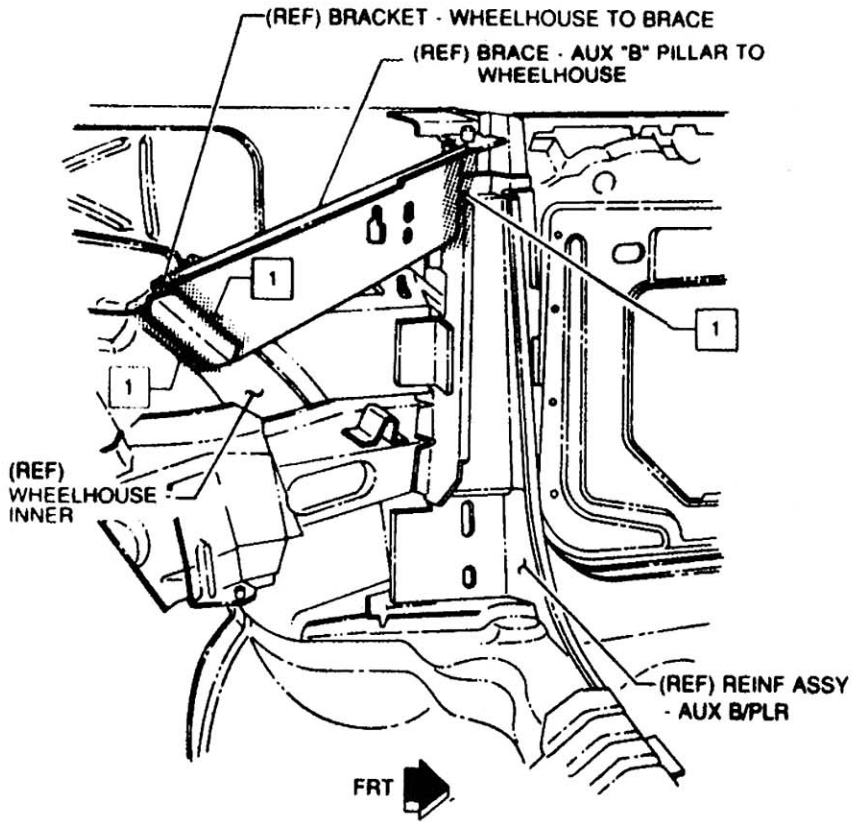


PCB		LET		DRAWING RELEASED		REVISIONS		DATE	BY	CHK	APP
asc		ASC, Incorporated		Graphics Department		Engineering Center		Bourbonnais, Michigan 48116		COMPLETION DATE	
1991.5 "F" BODY CONVERTIBLE		SEALING - SUPPORT BRACKETS AND GUSSET		O-RING ASSEMBLY		DATE		BY		CHECKED BY	
A-27X0-4960-AXXX		SHEET 3D								C. WEBER	

Ref	ASC Part No	Description	GM
1	X - 00M0 - 0184 - AXXX	SEALER - BRUSH ON	0001111
2	X - 00M0 - 0229 - AXXX	TAPE - SEALER	



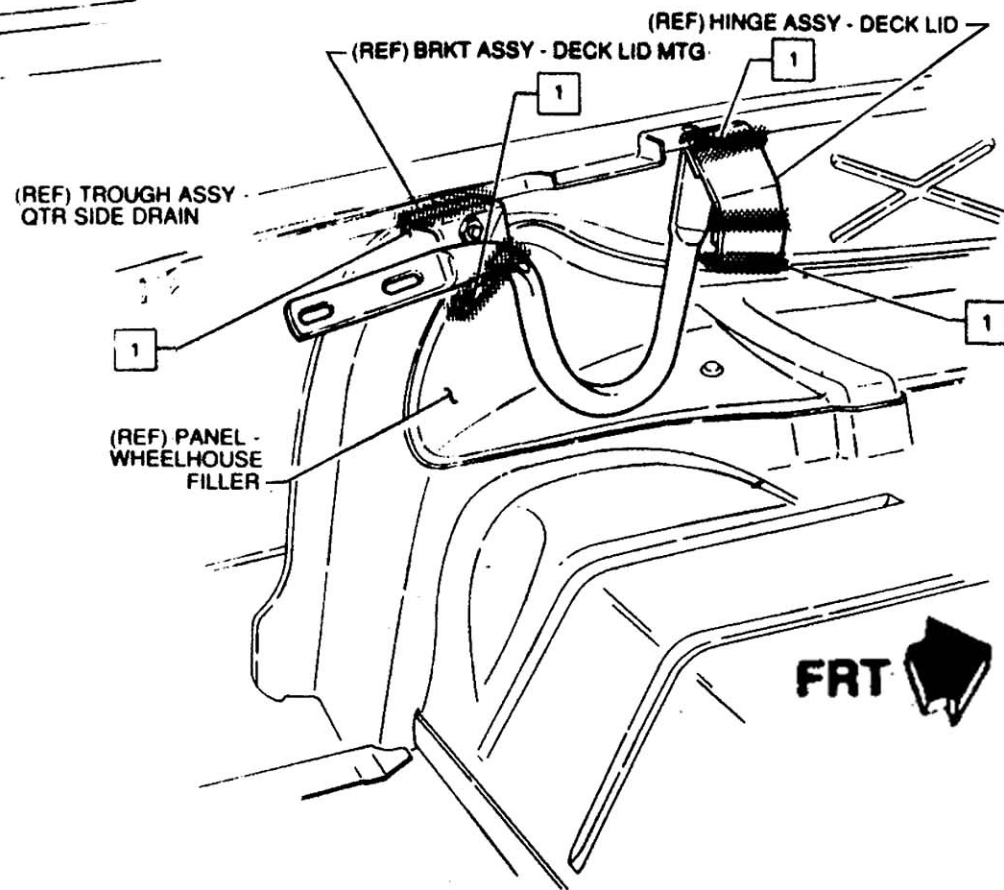
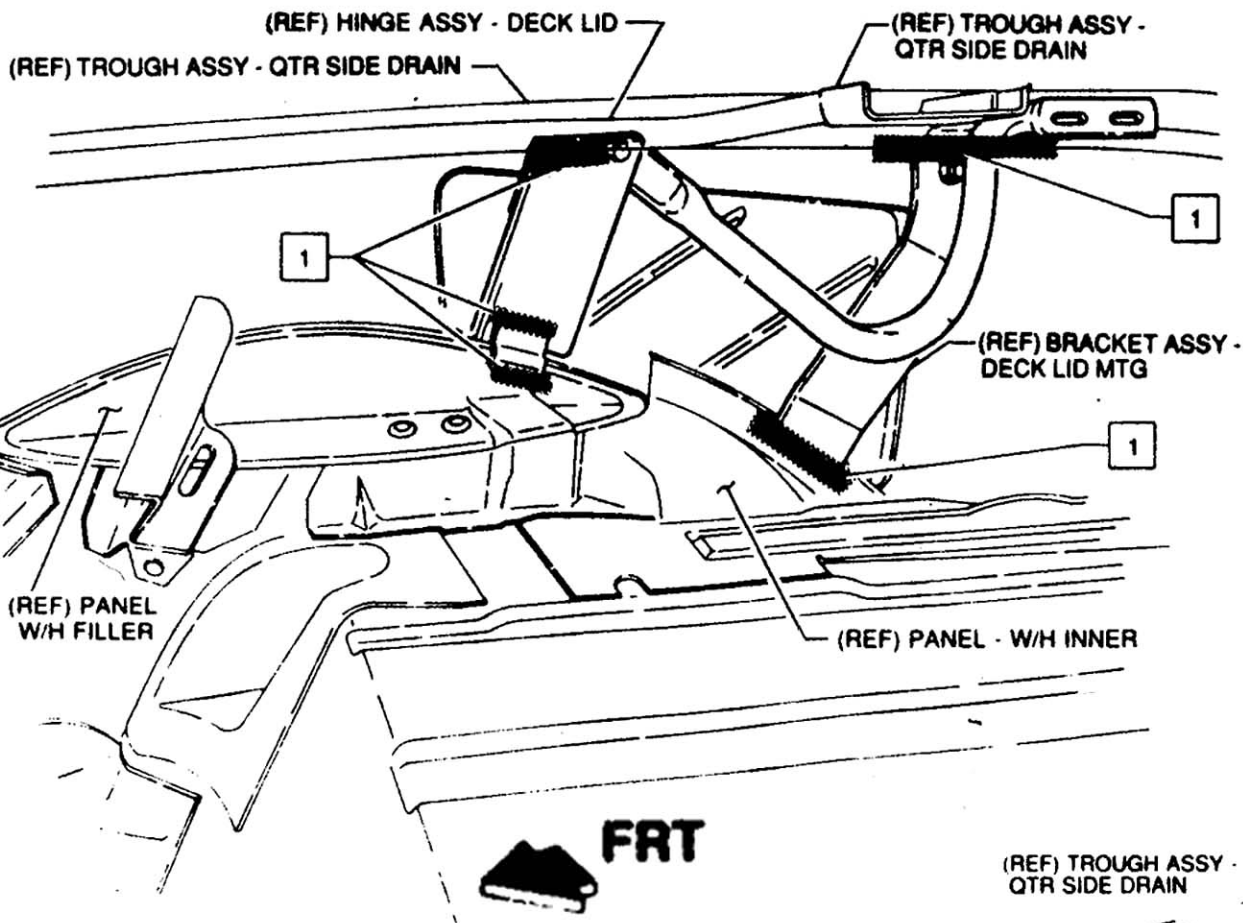
DRAWING RELEASED		DATE	BY	CHK	APP
REVISIONS		DATE	BY	CHK	APP
		ASC Incorporated Drafting Department Engineering Center Youngstown Michigan 44515			
1991.5 "F" BODY CONVERTIBLE SEALING - TROUGH ASSEMBLY - QUARTER SIDE AND REAR		1-25-91 T. MORAN C. WISNER S. WISNER			
A-27X0-4960-AXXX		SHEET 3E			



Ref	ASC Part No	Description	GM
1	X-0000-0184-AXXX	SEALER - BRUSH ON	9981111

DRAWING RELEASED		DATE	BY
REVISED		DATE	BY
		ASC Incorporated Graphics Department Engineering Center Southgate, Michigan 48190	
1991.5 "F" BODY CONVERTIBLE SEALING - TROUGH CORNER AND AUXILIARY "B" PILLAR BRACE		1-88-01 DRAWN BY B. DEBLAU CHECKED BY T. BOORACKER DESIGNED BY C. WISER	
A.27X0.4960.AXXX		SHEET 25	

Ref	ASC Part No	Description	GM
1	X-9990-0184-AXXX	SEALER - BRUSH ON	9991111



DRAWING RELEASED

1-23-91

asc. ABC Incorporated
Graphics Department
Engineering Center
Southgate, Michigan 48196

1-25-91


M. BOGLAU

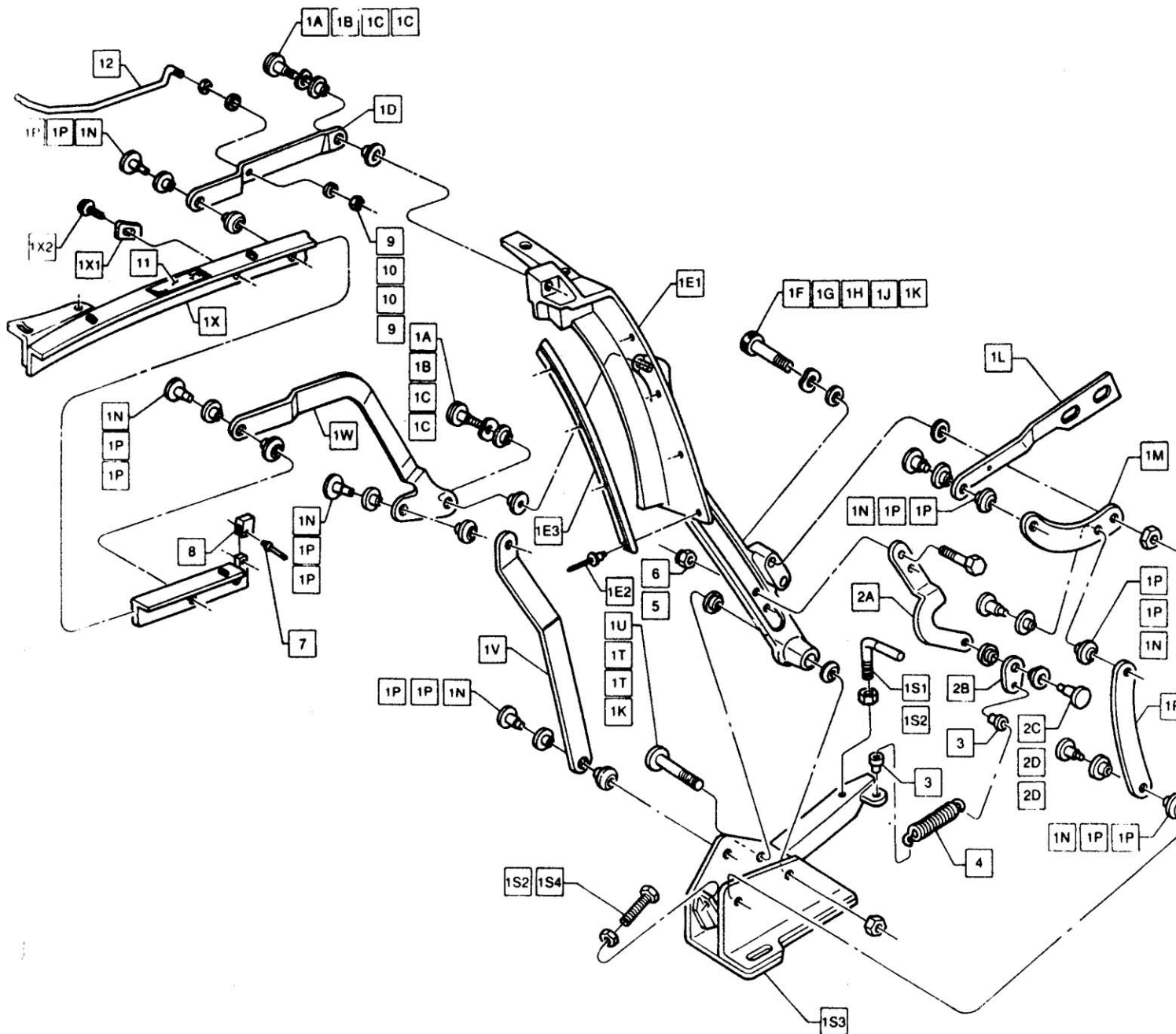
M. MONTGOMERY

O. WEBER

A-27X0-4960-AXXX SHEET 3G

SHEET	TITLE
4	CONTENTS - TOP STACK
4A	RAIL ASSEMBLY - SIDE, REAR, AND PIVOT BRACKET
4B	BOW ASSEMBLIES 1, 2, 3 - LATCHES AND SEALS
4C	BOW ASSEMBLIES 4 AND 5 AND NUMBER 5 BOW SEAL
4D	COVER ASSEMBLY - TOP
4E	HEADLINER ASSEMBLY

DRAWING RELEASED		1-25-91	CW	CK	APP
PCR	LET	DATE	DR	CK	APP
					
1991.5 "F" BODY CONVERTIBLE					
CONTENTS - TOP STACK					
A-27X0-4960-AXXX		SHEET 4			
		1-25-91 C. WEBER J. SHIMABARA C. WEBER 4 998000			



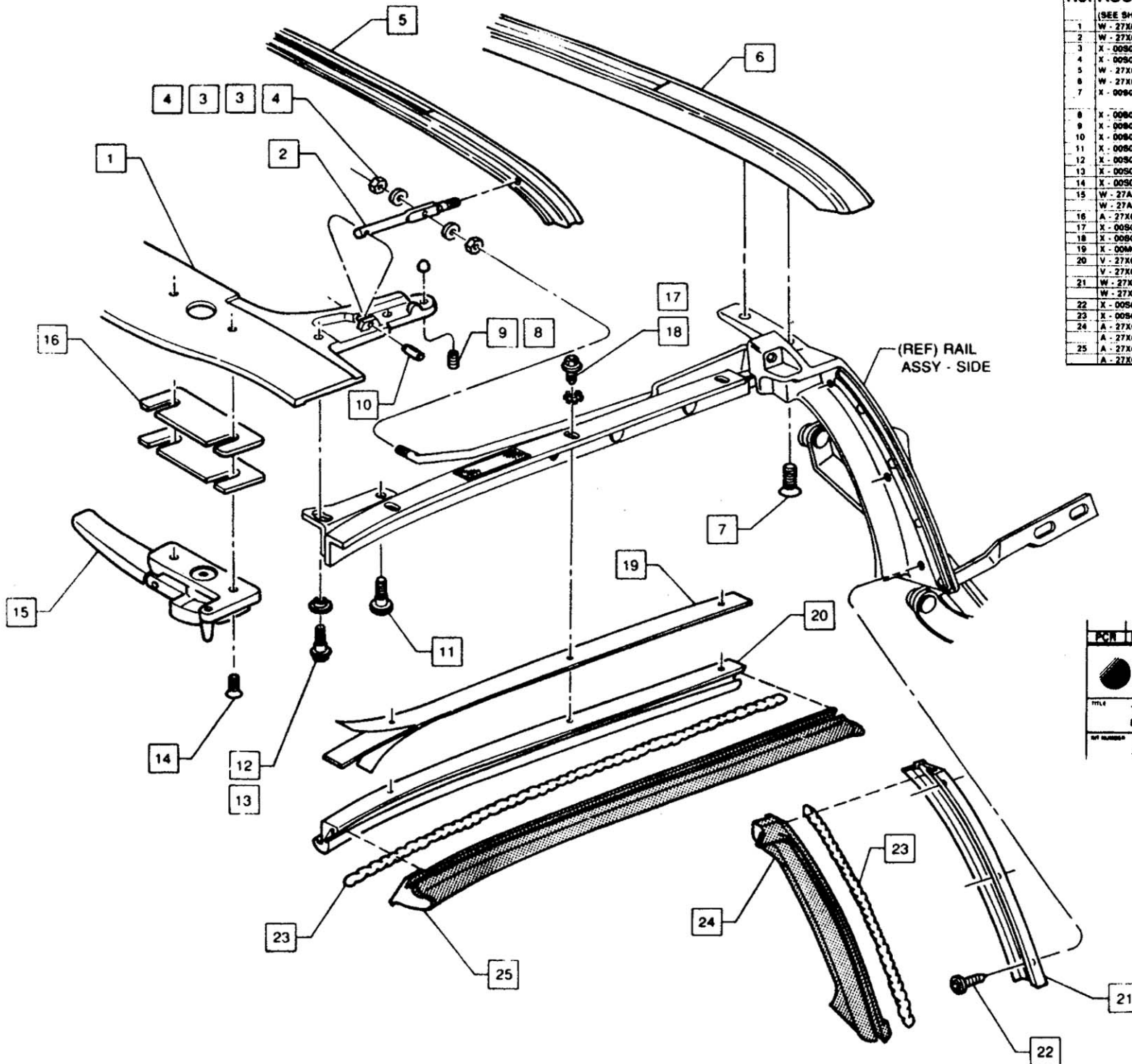
Ref	ASC Part No	Description	GM
	A - 27X0 - 3111	TOP STACK ASSY - LESS TRIM	
1	A - 27X0 - 1974	RAIL ASSY - SIDE COMPLETE (RH)	
	A - 27X0 - 1975	(LH)	
A	X - 0050 - 1409 - XYLY	BOLT (M6 x 1.0 x 21.5)	10048834
B	X - 0050 - 2020 - XZZZ	WASHER	
C	X - 0050 - 1415 - XXXX	BUSHING	14100338
D	W - 27X0 - 2016	CENTER LINK - SIDE RAIL (RH)	
	W - 27X0 - 2017	(LH)	
E	W - 27X0 - 3032	RAIL ASSY - REAR (RH)	12505002
	W - 27X0 - 3033	(LH)	12505003
E1	W - 27X0 - 3236	REAR RAIL (RH)	
	W - 27X0 - 3237	(LH)	
E2	X - 0080 - 0180 - XXXX	RIVET (1.8 x 375)	
E3	W - 27X0 - 3798	EXTENSION - REAR RAIL (RH)	
	W - 27X0 - 3799	(LH)	
F	X - 0050 - 2084 - XWXX	SCREW (5/16 - 18 x 1.0)	12384678
G	X - 0080 - 1078 - XXXX	WASHER	
H	X - 0050 - 1215 - XZTX	WASHER	
J	X - 0050 - 1141 - XXXX	WASHER	
K	X - 0080 - 0498 - XWXX	NUT	12506382
L	W - 27X0 - 7540	SLAT - BOW NO 5 (RH)	
	W - 27X0 - 7541	(LH)	
M	W - 27X0 - 1794	LINK - PIVOT BOW NO 5	
N	X - 0050 - 0502 - XWXX	RIVET (248 x .175)	
P	X - 0050 - 0508 - XXXX	BUSHING	
R	W - 27X0 - 1784	LINK - CONTROL BOW NO 5	
S	A - 27X0 - 7376	BRKT ASSY - MAIN PIVOT COMPL (RH)	
	A - 27X0 - 7377	(LH)	
S1	A - 27X0 - 0560	DOWNSTOP - BUMPER	
S2	X - 0050 - 1595 - XYXX	NUT	114505
S3	A - 27X0 - 2023	BRKT ASSY - MAIN PIVOT (RH)	
	A - 27X0 - 2023	(LH)	
S4	X - 0080 - 1680 - XWXX	BOLT (3/8 - 16 x 1.50)	121524
T	X - 0050 - 0523 - XZXX	BUSHING	20496857
U	X - 0080 - 0521 - XWXX	SCREW (5/16 - 18 x 2.5)	12506384
V	V - 27X0 - 3030	BALANCE LINK - MAIN PILLAR (RH)	
	V - 27X0 - 3031	(LH)	
W	W - 27X0 - 2014	PIVOT LINK - SI RAIL CONTROL (RH)	
	W - 27X0 - 2015	(LH)	
X	W - 27X0 - 2630	RAIL ASSY - SIDE (RH)	
	W - 27X0 - 2631	(LH)	
X1	W - 27X0 - 4433	STOP - ADJUST SIDE RAIL	
X2	X - 0050 - 0924 - XWXX	SCR & WSHR ASSY (M6 x 1.0 x 14.0)	12506386
2	A - 27X0 - 5272	BRKT ASSY - RR RL T-STACK ASST (RH)	12509986
	A - 27X0 - 5273	(LH)	12509987
A	A - 27X0 - 2052	BRKT - RR RL T-STACK ASST (RH)	
	A - 27X0 - 2053	(LH)	
B	A - 27X0 - 2084	LINK - TOP STACK ASST	
C	X - 0050 - 2179 - XWXX	RIVET (M6 x 5.8 x 20.0)	
D	X - 0050 - 1415 - XXXX	BUSHING	14100338
3	X - 0050 - 0128 - XXXX	NUT	01099943
4	A - 27X0 - 5805	SPRING	12509982
5	X - 0050 - 3684 - XWXX	BOLT (1/4 - 20 x 1.0)	
6	X - 0050 - 0162 - XWXX	NUT	
7	X - 0050 - 1321 - XZDX	RIVET (1.8 x 312)	
8	W - 27X0 - 2374	ISOLATOR - ANTI-RATTLE	12504786
9	X - 0050 - 3453 - XZXX	NUT	
10	X - 0080 - 1111 - XXXX	WASHER	
11	X - 0080 - 0237 - AXXX	TAPE	
12	W - 27X0 - 5640	LINK - NO 2 BOW ACTUATOR (RH)	
	W - 27X0 - 5641	(LH)	

SERVICE ONLY

W - 27X0 - 8538 27 PKG - ACTR & HDWR BOW NO 2 (RH/LH) 12504750 31

CONSISTS OF 9 10 12 3 4 SEE SHEET 4B

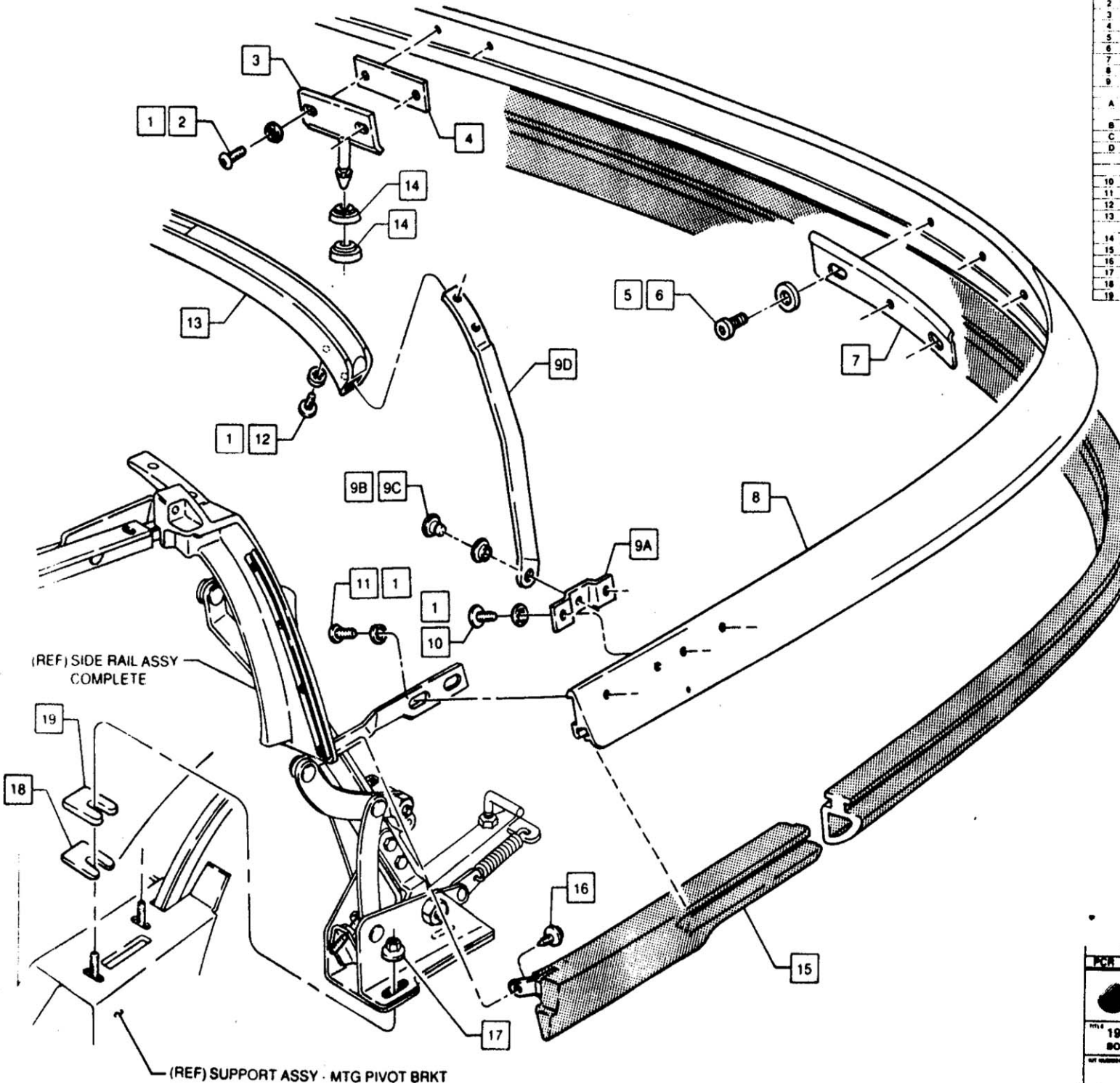
PCR	LET	REVISIONS	DATE	DR	CK	APP
asc		ASC Incorporated Graphics Department Engineering Center Southgate, Michigan 48196		1-25-91	DR	APP
1991.5 "F" BODY CONVERTIBLE RAIL ASSEMBLY - SIDE, REAR, AND PIVOT BRACKET						1-28-91 MONTGOMERY C. WISER
A-27X0-4960-AXXX						SHEET 4A



Ref	ASC Part No	Description	GM
(SEE SHEET 4A)			
1	W - 27X0 - 1951	TOP STACK ASSY - LESS TRM	
2	W - 27X0 - 1982	BOW - NO 1	12504744
3	X - 0090 - 1111 - XXXX	PIVOT LINK - BOW NO 2	
4	X - 0090 - 3300 - XWNX	NUT	
5	W - 27X0 - 2038	BOW ASSY - NO 2	12504752
6	W - 27X0 - 2050	BOW ASSY - NO 3	12504741
7	X - 0090 - 1677 - XZTX	SCREW (1.4 - 20 x 1.0)	12506392
8	X - 0080 - 0652 - XXXX	CAP	
9	X - 0080 - 1232 - XZXX	SCREW (10 - 24 x 50)	
10	X - 0080 - 1850 - XZTX	PIN - SPRING	12331798
11	X - 0080 - 3253 - XZXX	SCREW (5.16 - 18 x 915)	12905299
12	X - 0090 - 0500 - XZTX	BOLT (5.16 - 18 x .88)	12505394
13	X - 0090 - 0526 - XXXX	BUSHING	20498558
14	X - 0090 - 2372 - XZTX	SCREW (M6 x 1.0 x 20.0)	12505297
15	W - 27A0 - 2740	LATCH ASSY - HEADER COMPL (RH)	12506014
16	W - 27A0 - 2741	(LH)	12506015
17	A - 27X0 - 7168	SHM - HEADER LATCH	
18	X - 0090 - 0034 - XYGX	WASHER	
19	X - 0090 - 0087 - XWNX	SCR & WSHR ASSY (8 - 32 x .62)	12506399
20	V - 27X0 - 3116	TAPE	
21	W - 27X0 - 3120	RETAINER - SIDE RAIL SEAL (RH)	12394880
		(LH)	12394881
22	X - 0090 - 0173 - XWSX	RETAINER - MAIN PLR SEAL COMPT (RH)	12504772
		(LH)	12504773
23	X - 0090 - 0189 - AXXX	ADHESIVE - WEATHERSTRIP	20504108
24	A - 27X0 - 3024	SEAL - MAIN PILLAR (RH)	
		(LH)	
25	A - 27X0 - 3025	SEAL - SIDE RAIL (RH)	
		(LH)	

DRAWING RELEASED

FOR FILE	REVISIONS	DATE	DR
asc		ASC Incorporated Graphics Department Engineering Center Southgate, Michigan 48196	
TITLE		1-25-91	
1991.5 "F" BODY CONVERTIBLE BOW ASSEMBLIES 1, 2, 3 - LATCHES AND SEALS		DATE	DR
REV NUMBER		1-25-91	
A-27X0-4960-AXXX		SHEET 4B	



Ref	ASC Part No	Description	GM
	[SEE SHEET 4A]	TOP STACK ASSY - LESS TRIM	
1	X - 0050 - 1819 - XZTX	WASHER	
2	X - 0050 - 1909 - XZTX	SCREW (1.4 - 20 x .825)	12508363
3	U - 27X0 - 7311	PIN - NO 5 BOW RECEIVER	12392915
4	V - 27X0 - 2018	SHIM - STRIKER PIN	12331804
5	X - 0050 - 1111 - XXXX	WASHER	
6	X - 0050 - 1541 - XWXY	SCREW (M5 x 0.8 x 10.0)	
7	W - 27X0 - 5425	BRKT - STAY PAD REAR	12504738
8	A - 27X0 - 7283	BOW - NO 5	
9	A - 27X0 - 4548	SLAT ASSY - BOW NO 4 (RH)	
		(LH)	
A	A - 27X0 - 4778	BRKT - BOW NO 4 (RH)	
		(LH)	
B	X - 0050 - 2210 - XZTX	BUSHING	
C	X - 0050 - 0531 - XWTX	RIVET (1.4 x 101)	
D	W - 27X0 - 2886	SLAT - BOW NO 4 (RH)	
		(LH)	
10	X - 0050 - 1745 - XWTX	SCREW (8 - 32 x .375)	
11	X - 0050 - 1190 - XZTX	SCREW (1.4 - 20 x .50)	12505395
12	X - 0050 - 1911 - XZTX	SCREW (1.4 - 20 x .38)	12505363
13	W - 27X0 - 2032	BOW ASSY - NO 4	12504740
14	A - 27X0 - 3430	SEAL - PATCH	
15	W - 27X0 - 7240	SEAL - BOW NO 5	12504727
16	X - 0050 - 0173 - XWSX	SCREW (8 - 18 x .50)	20504108
17	X - 0050 - 1736 - XZTX	NUT & WSHR ASSY	
18	X - 0050 - 1957 - XZTX	SHIM (1.75 x 1.25 x .0825)	
19	X - 0090 - 1998 - XZTX	SHIM (1.75 x 1.25 x 1.28)	

1-25-81

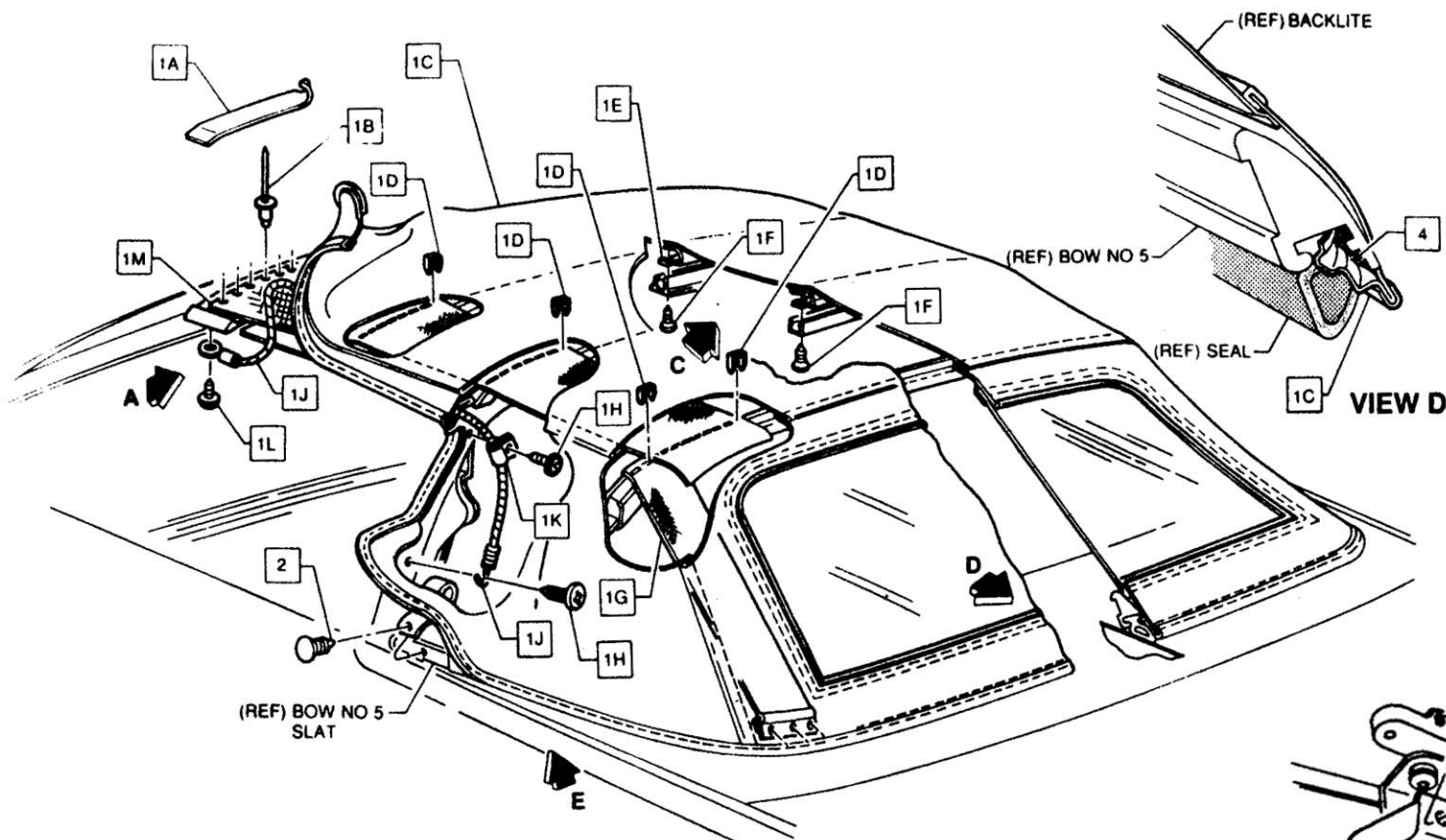
PCB LEL DRAWING RELEASED REVISIONS DATE 08/11/81 CHK APP

asc ASC Incorporated
 Urghesa Department
 Engineering Center
 Northgate, Michigan 48106

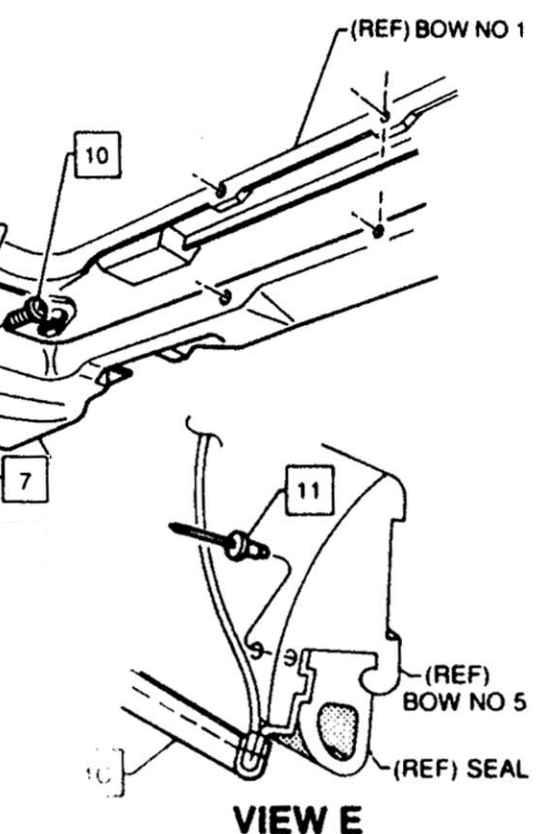
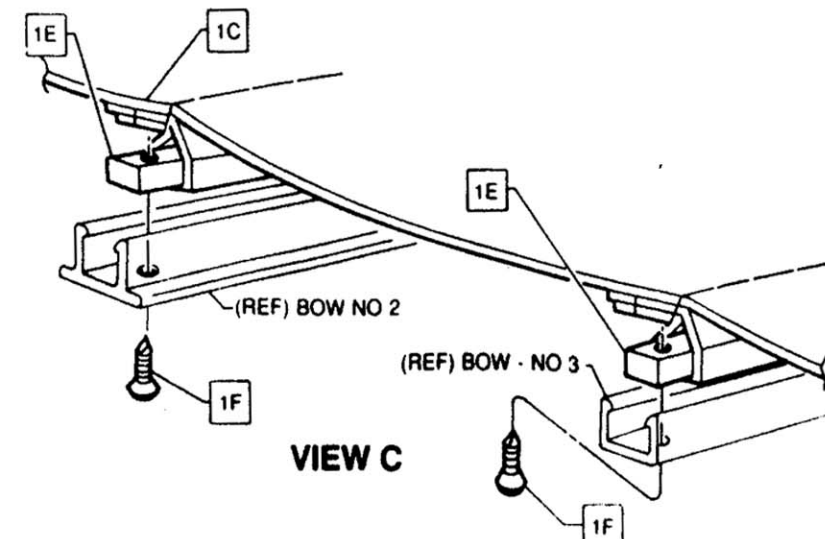
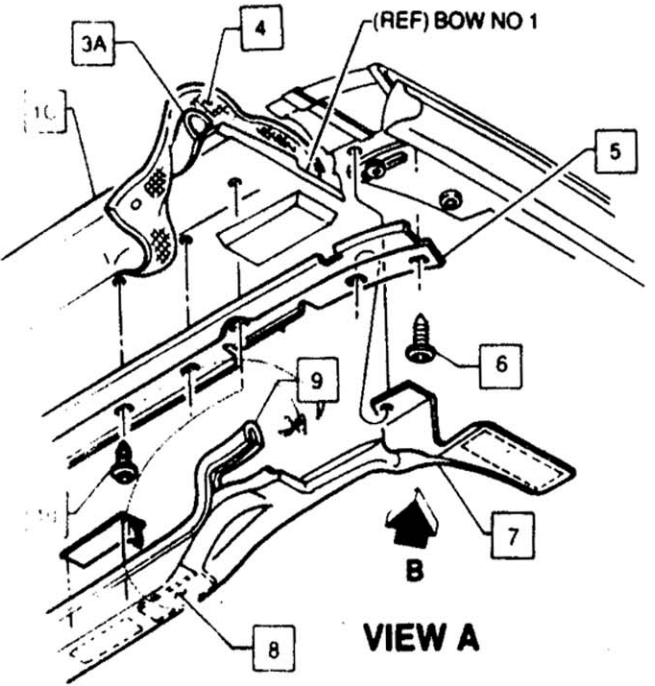
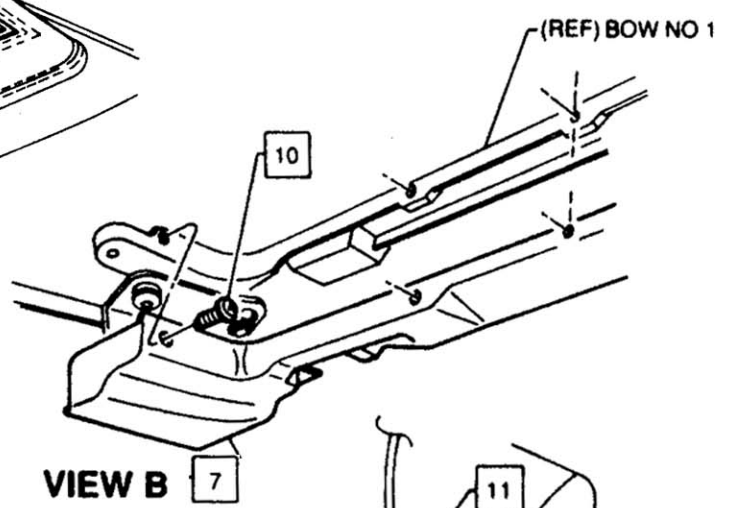
1-25-81
 M BORN AU
 C ALLEN
 C WEBER
 S. BISHOP

1991.5 "F" BODY CONVERTIBLE
 BOW ASSEMBLIES 4 AND 5 AND NUMBER 5 BOW SEAL

A-27X0-4960-AXXX SHEET 4C



Ref	ASC Part No	Description	GM
1	A - 27X0 - 3112	TOP STACK ASSY - COMPLETE	
A	X - 0090 - 0053 - AXXX	TAPE	
B	X - 0090 - 2484 - XZDX	RIVET (1/8 x 187)	
C	W - 27X0 - 0250	COVER ASSY - COMPLETE	
D	X - 0050 - 0533 - XXXX	STAPLE	
E	N - 26X0 - 2035	RETAINER - COVER ASSY TOP	20498014
F	X - 0050 - 1910 - XZJX	SCREW (8 - 18 x 625)	11508231
G	W - 27X0 - 4544	STAY PAD - REAR	12504753
H	X - 0050 - 0073 - XZZX	SCREW (8 - 18 x 38)	20365273
J	A - 27X0 - 3215	CABLE ASSY - SIDE RETAINER	12508253
K	X - 0090 - 2695 - XZTX	CLAMP	12398719
L	X - 0090 - 1380 - XYBX	SCREW (8 - 18 x 25)	12390881
M	W - 27X0 - 3122	STAY PAD - SIDE (RH) (LH)	12504742
	W - 27X0 - 3123		12504743
2	X - 0090 - 1388 - XXXX	RETAINER	20540336
3	(SEE SHEET 4A)	TOP STACK ASSY - LESS TRIM	
A	X - 0090 - 0057 - DXXX	TAPE	
4	X - 0090 - 0555 - AXXX	ADHESIVE - CONTACT BOND	
5	V - 27X0 - 7527	RETAINER - COVER TOP FRONT	12396208
6	X - 0050 - 1910 - XZJX	SCREW (8 - 18 x 625)	11508231
7	A - 27X0 - 6901	MOLDING - NO 1 BOW GARNISH	12509310
8	X - 0090 - 0375 - AXXX	SOUND PAD - MORTELL	
9	X - 0090 - 0195 - BXXX	TAPE	
10	X - 0050 - 0073 - XZZX	SCREW (8 - 18 x 38)	20365273
11	X - 0090 - 1915 - XZQX	RIVET (1/8 x 125)	12398848



DRAWING RELEASED 1-26-91

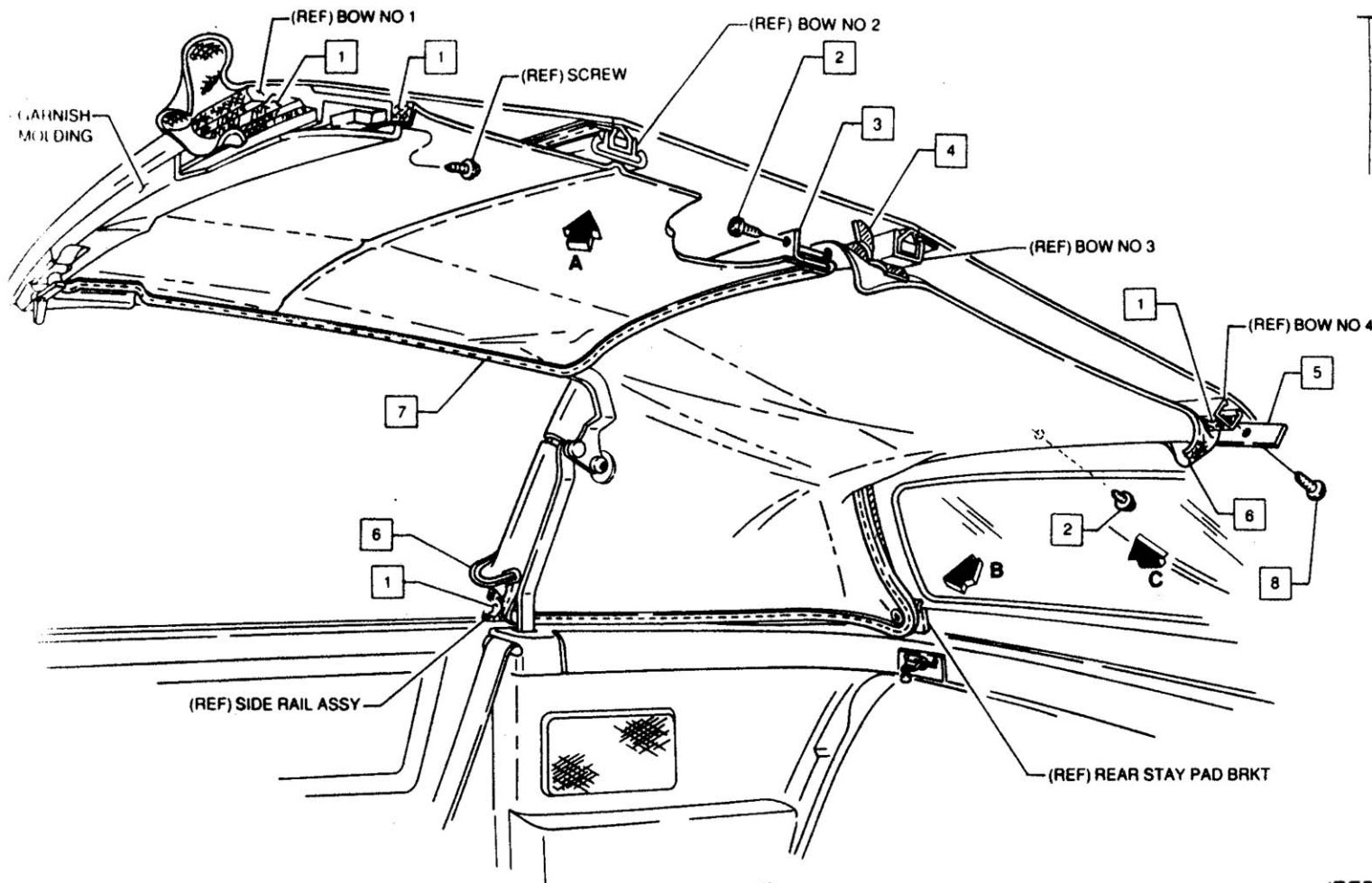
PCB	LET	REVISIONS	DATE	DR	CK	APP

asc ASC Incorporated
Crago's Department
Engineering Center
Southgate Michigan 48196

1-26-91
ILLUSTRATED BY
M. WIGLAW
DESIGNED BY
K. HWALTON
CHECKED BY
C. WOODR
APPROVED BY
S. SIMMONS

1991.5 "F" BODY CONVERTIBLE
COVER ASSEMBLY - TOP

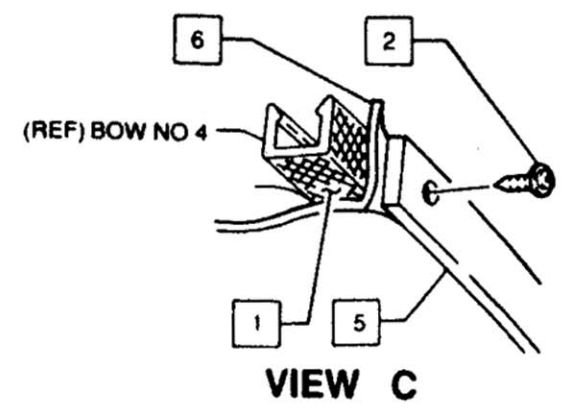
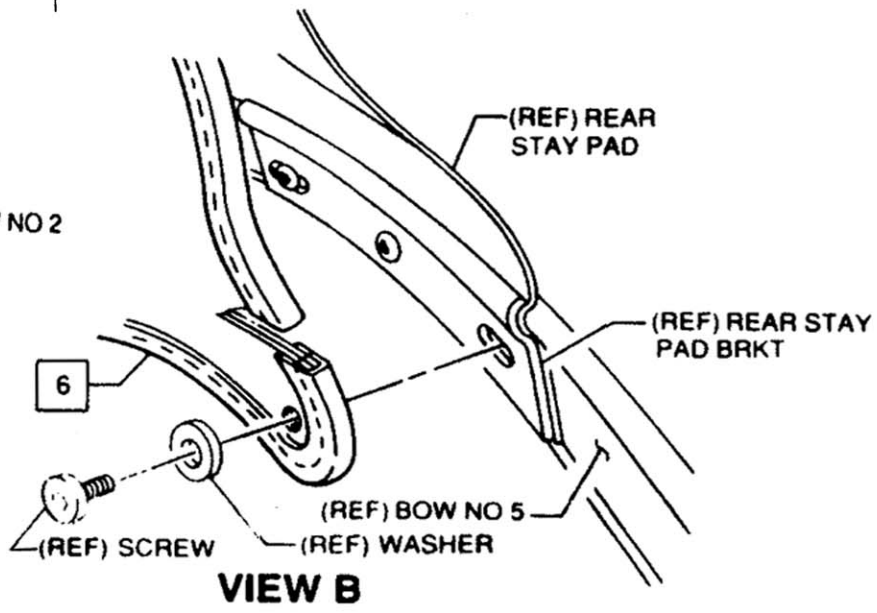
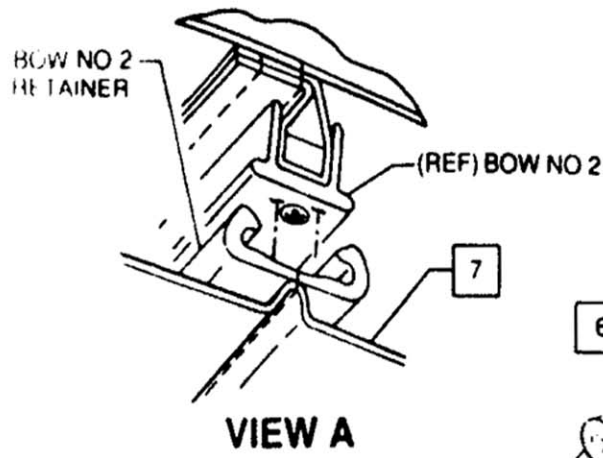
WIT NUMBER: A-27X0-4960-AXXX SHEET 4D



Ref	ASC Part No	Description	GM
	(SEE SHEET 4D)	TOP STACK ASSY - COMPLETE	
1	X - 00M0 - 0555 - AXXX	ADHESIVE - CONTACT BOND	20385273
2	X - 00S0 - 0073 - XZZX	SCREW (8 - 18 x 38)	12506506
3	W - 27X0 - 7653	RETAINER - HEADLINER BOW NO 3	
4	X - 00M0 - 0126 - KXXX	TAPE	12506506
5	A - 27X0 - 5955	RETAINER - HEADLINER BOW NO 4	
6	W - 27X0 - 4747	HEADLINER ASSY - REAR	
7	A - 27X0 - 4748	HEADLINER ASSY - FRONT	
8	X - 00B0 - 0001 - XZZX	SCREW (8 - 18 x 50)	

SERVICE ONLY

[A: 27X0 - 8562] PACKAGE - HEADLINER
 CONSISTS OF: [6] [7]



DRAWING RELEASED 1-25-81

PCB	LET	REVISIONS	DATE	BY	CHK	APP


asc ASC Incorporated
 Graphics Department
 Engineering Center
 Southgate Michigan 48196

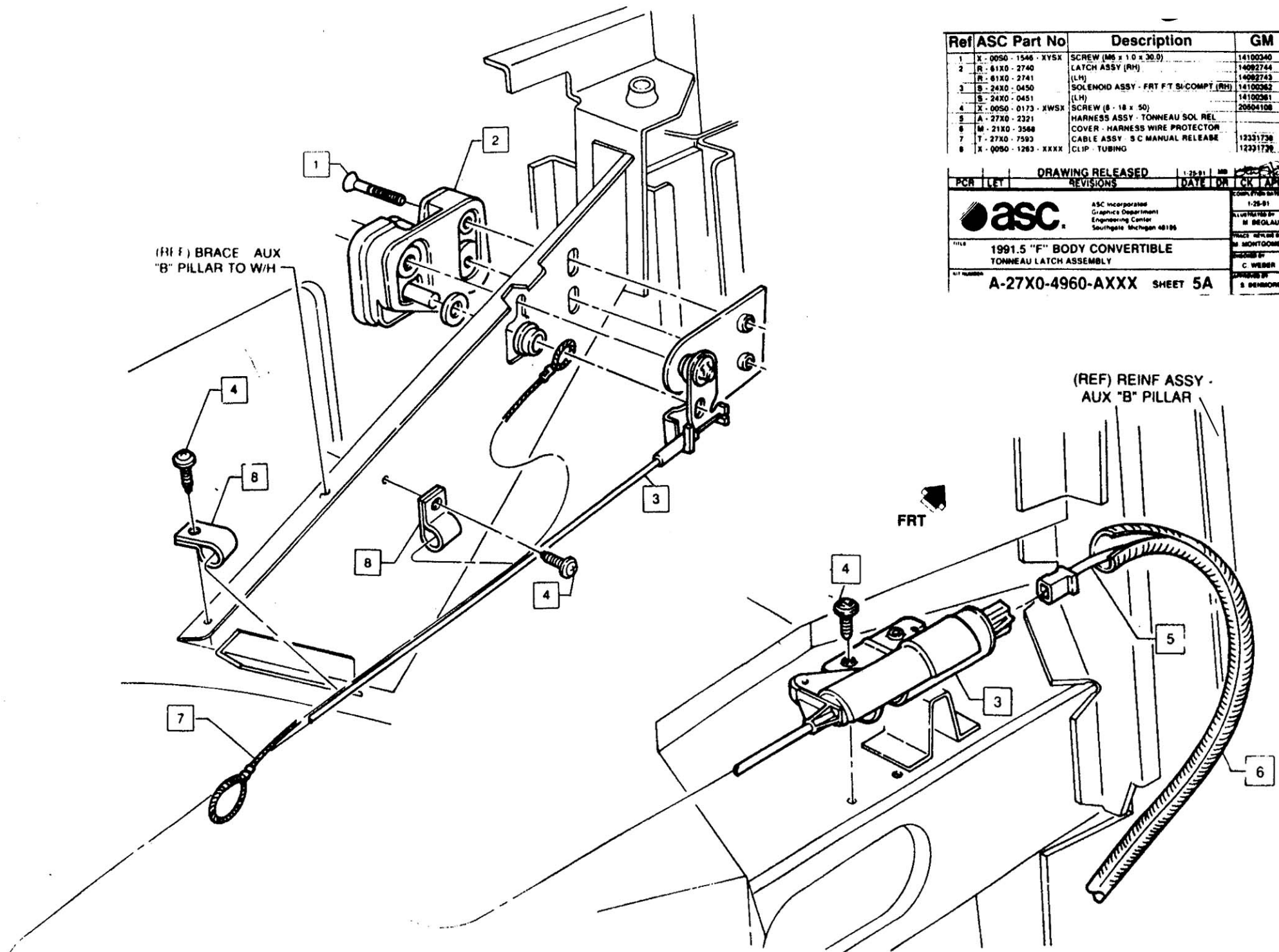
1-28-81
 M. BEOLAU
 R. KWALTON
 C. WEBER
 S. BENSORE

1991.5 "F" BODY CONVERTIBLE
 HEADLINER ASSEMBLY

A-27X0-4960-AXXX SHEET 4E

SHEET	TITLE
5	CONTENTS - INTERIOR TRIM
5A	TONNEAU LATCH ASSEMBLY
5B	FRONT SEAT - SHOULDER BELT ASSEMBLY
5C	QUARTER TRIM PANEL ASSEMBLY (CAMARO)
5D	QUARTER TRIM PANEL ASSEMBLY (FIREBIRD)
5E	QUARTER TRIM PANEL INSTALLATION - WEDGE PLATE AND VALVE ASSEMBLY
5F	QUARTER TRIM CAP AND MUCKET INSTALLATION
5G	REAR SEAT RESTRAINT SYSTEMS
5H	TRUNK TRIM (CAMARO)
5J	TRUNK TRIM (FIREBIRD)
5K	HEADER ASSEMBLY
5L	KNOB ADJUSTMENT - HEADREST (FIREBIRD)

DRAWING RELEASED		1-25-81	CR	2/25
PCR	LET	REVISIONS	DATE	BY
		<small>Asst. to President Engineering Dept. Pontiac, Michigan</small>		<small>COMPLETION DATE</small> 1-25-81
1991.5 "F" BODY CONVERTIBLE CONTENTS - INTERIOR TRIM			<small>STARTED BY</small> C WISDER	<small>DATE SET BY</small> J MCHAMARA
A-27X0-4960-AXXX SHEET 5			<small>RECHECKED BY</small> C WISDER	<small>APPROVED BY</small> S BENMORE



(REF) BRACE AUX
"B" PILLAR TO W/H

(REF) REINF ASSY -
AUX "B" PILLAR

FRT

Ref	ASC Part No	Description	GM
1	X - 0050 - 1546 - XYSX	SCREW (M6 x 1.0 x 30.0)	14100340
2	R - 61X0 - 2740	LATCH ASSY (RH)	14092744
	R - 61X0 - 2741	(LH)	14092743
3	S - 24X0 - 0450	SOLENOID ASSY - FRT FT SI-COMPT (RH)	14100262
	S - 24X0 - 0451	(LH)	14100261
4	X - 0050 - 0173 - XWSX	SCREW (8 - 18 x 50)	20604108
5	A - 27X0 - 2321	HARNESS ASSY - TONNEAU SOL REL	
6	M - 21X0 - 3568	COVER - HARNESS WIRE PROTECTOR	
7	T - 27X0 - 7593	CABLE ASSY - S C MANUAL RELEASE	12331738
8	X - 0050 - 1283 - XXXX	CLIP - TUBING	12331739

DRAWING RELEASED 1-28-91

PCR	LET	REVISIONS	DATE	DR	CK	APP
-----	-----	-----------	------	----	----	-----

asc ASC Incorporated
Graphics Department
Engineering Center
Southgate Michigan 48196

1-28-91
ILLUSTRATED BY
M. BEGLAU
PROCESSED BY
R. MONTGOMERY
DESIGNED BY
C. WEBER
DRAWING BY
S. BERNHORN

TITLE
**1991.5 "F" BODY CONVERTIBLE
TONNEAU LATCH ASSEMBLY**

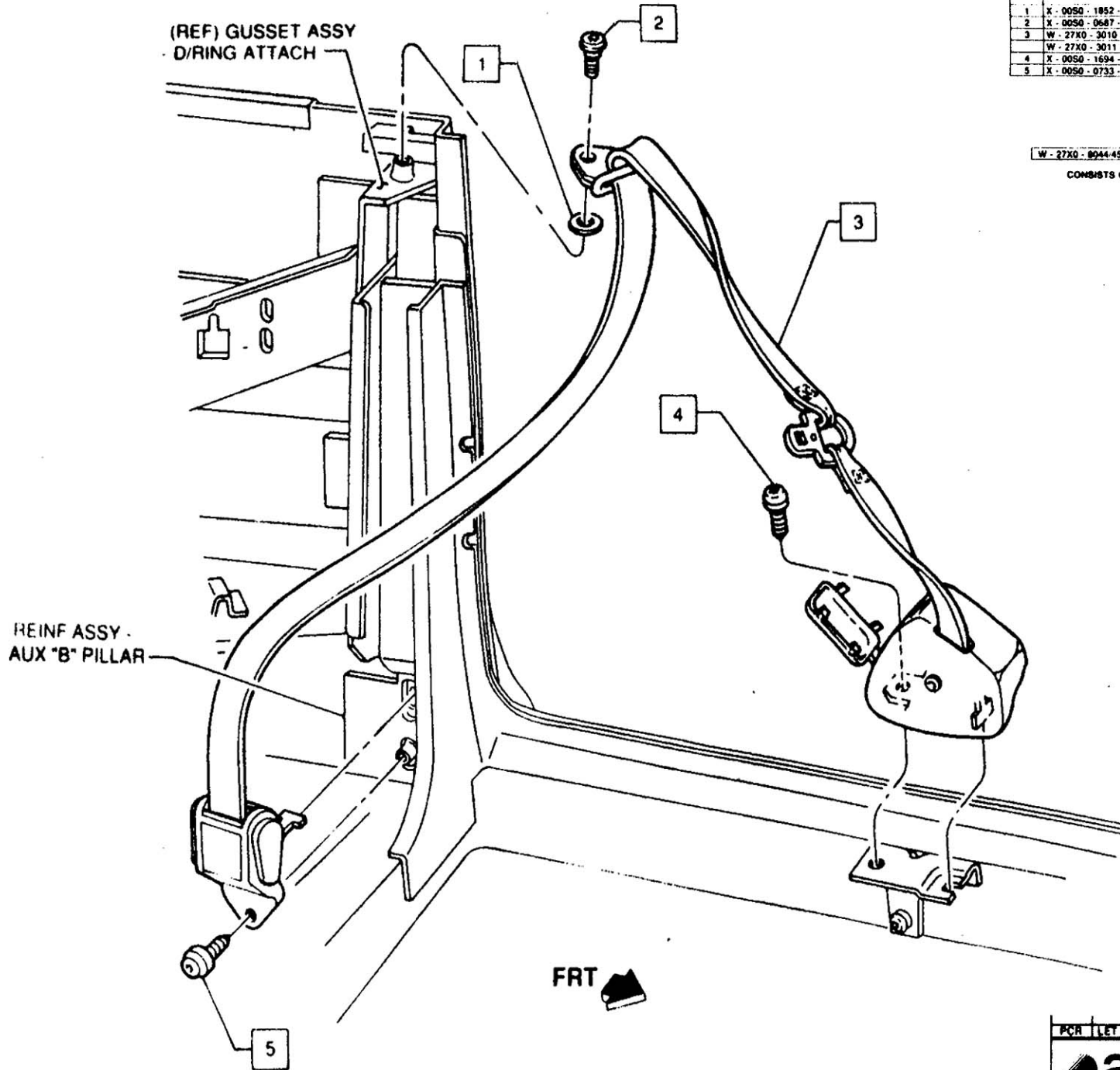
REV NUMBER
A-27X0-4960-AXXX SHEET 5A

Ref	ASC Part No	Description	GM
1	X - 0050 - 1852 - XXXX	WASHER	
2	X - 0050 - 0687 - XXXX	BOLT (M12 x 1.75 x 25.0)	20247308
3	W - 27X0 - 3010	RETR BELT ASSY - FRT SEAT (RH)	
		(LH)	
4	X - 0050 - 1694 - XZTX	BOLT (7.16 - 20 x 1.38)	
5	X - 0050 - 0733 - XZTX	BOLT (M12 x 1.75 x 25.0)	20227973

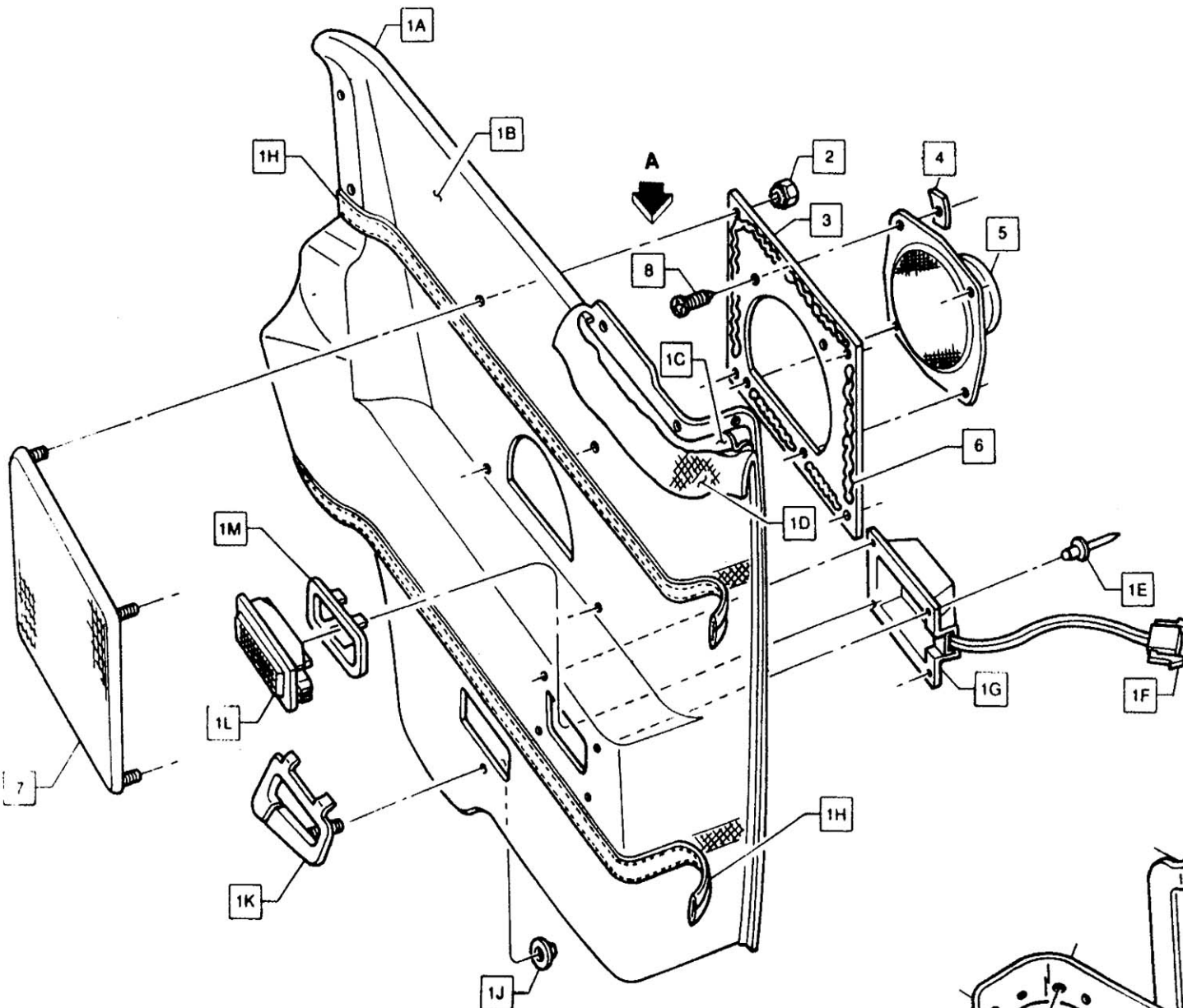
SERVICE ONLY

W - 27X0 - 8044-45	RETR BELT ASSY - FRT ST (RHLH)
--------------------	--------------------------------

CONSISTS OF: 3



PCR / LET	DRAWING RELEASED	1-25-91	MD
	REVISIONS	DATE	CHK / APP
		ASC Incorporated Graphics Department Engineering Center Southgate, Michigan 48196	
TITLE 1991.5 "F" BODY CONVERTIBLE FRONT SEAT SHOULDER BELT ASSEMBLY		DATE RELEAS 1-25-91 ILLUSTRATED BY M. BEGLAU MADE RELEAS MONTGOMERY CHECKED BY C. WEBER DRAWING BY S. BEHRENS	
PART NUMBER A-27X0-4060-AYXX		SHEET 5B	



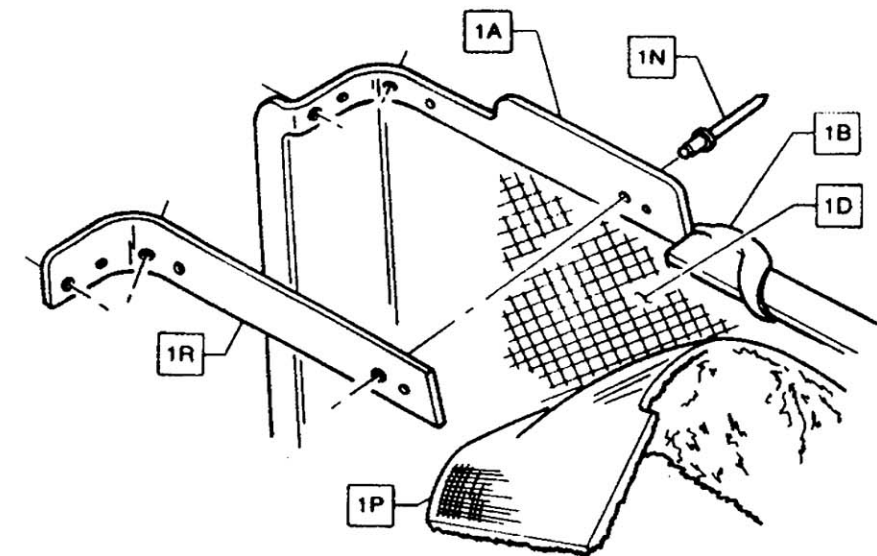
Ref	ASC Part No	Description	GM
I	A - 27X0 - 1568	PANEL ASSY - QTR TRIM INR (RH)	
	A - 27A0 - 1568	(RH) [OPTIONAL]	
	A - 27X0 - 1569	(LH) [OPTIONAL]	
	A - 27A0 - 1569	(LH) [OPTIONAL]	
A	A - 27X0 - 1214	TRIM PANEL - QTR INNER (RH)	
	A - 27X0 - 1215	(LH)	
B	A - 27X0 - 3356	COVER ASSY - QTR TRIM PANEL (RH)	
	A - 27A0 - 3356	(RH) [OPTIONAL]	
	A - 27X0 - 3357	(LH)	
	A - 27A0 - 3357	(LH) [OPTIONAL]	
C	X - 00M0 - 0116 - XXXX	PAD - FOAM	
D	X - 00M0 - 0132 - XXXX	ADHESIVE - SYN RUBBER	
E	X - 00S0 - 0246 - XXXX	RIVET (1/8 x 3/12)	
F	A - 27X0 - 3718	JUMPER - COURTESY LAMP	
G	N - 26X0 - 3874	COVER - COURTESY LAMP BACKING	
H	S - 2FX0 - 1626	DIVIDER - STRIP (RH)	
	S - 2FX0 - 1627	(LH)	
J	X - 00S0 - 0719 - XZTX	NUT	20049823
K	V - 26X0 - 3702	BEZEL - SEAT RETRACTOR (RH)	
	V - 26X0 - 3703	(LH)	
L	A - 27X0 - 3558	LAMP ASSY - COURTESY	
M	N - 26X0 - 3561	RETAINER - COURTESY LAMP	20387850
N	X - 00B0 - 0348 - XXXX	RIVET (1/8 x 1/28)	
P	T - 27X0 - 2490	CARPET - QTR TRIM PANEL (RH)	
	T - 27X0 - 2491	(LH)	
R	T - 27X0 - 0153	PLATE - B-PLR CAP TAPPING	
2	X - 00S0 - 0776 - XXXX	NUT & WSHR ASSY	11501913
3	A - 27D0 - 7430	ADAPTOR PLATE - SPEAKER MTG (RH)	
	A - 27D0 - 7431	(LH)	
4	X - 00S0 - 1282 - XXXX	NUT - PUSH ON	12510053
5	S - 2FX0 - 3209	SPEAKER - REAR QTR	16022080
	A - 27X0 - 2082	SPEAKER - REAR PREMIUM [OPTIONAL]	16146805
6	X - 00M0 - 0189 - XXXX	ADHESIVE	
7	N - 26X0 - 3671	GRILLE ASSY - SPEAKER	
8	X - 00S0 - 1873 - XZTX	SCREW (8 - 18 x 1.00)	11500488

SERVICE ONLY

A - 27X0 - 8068-89	PKG - PNL ASSY QTR TRIM (RH/LH)
CONSISTS OF:	1A 1B 1D 1E 1F 1G 1H 1L 1M 1N 1P 1R

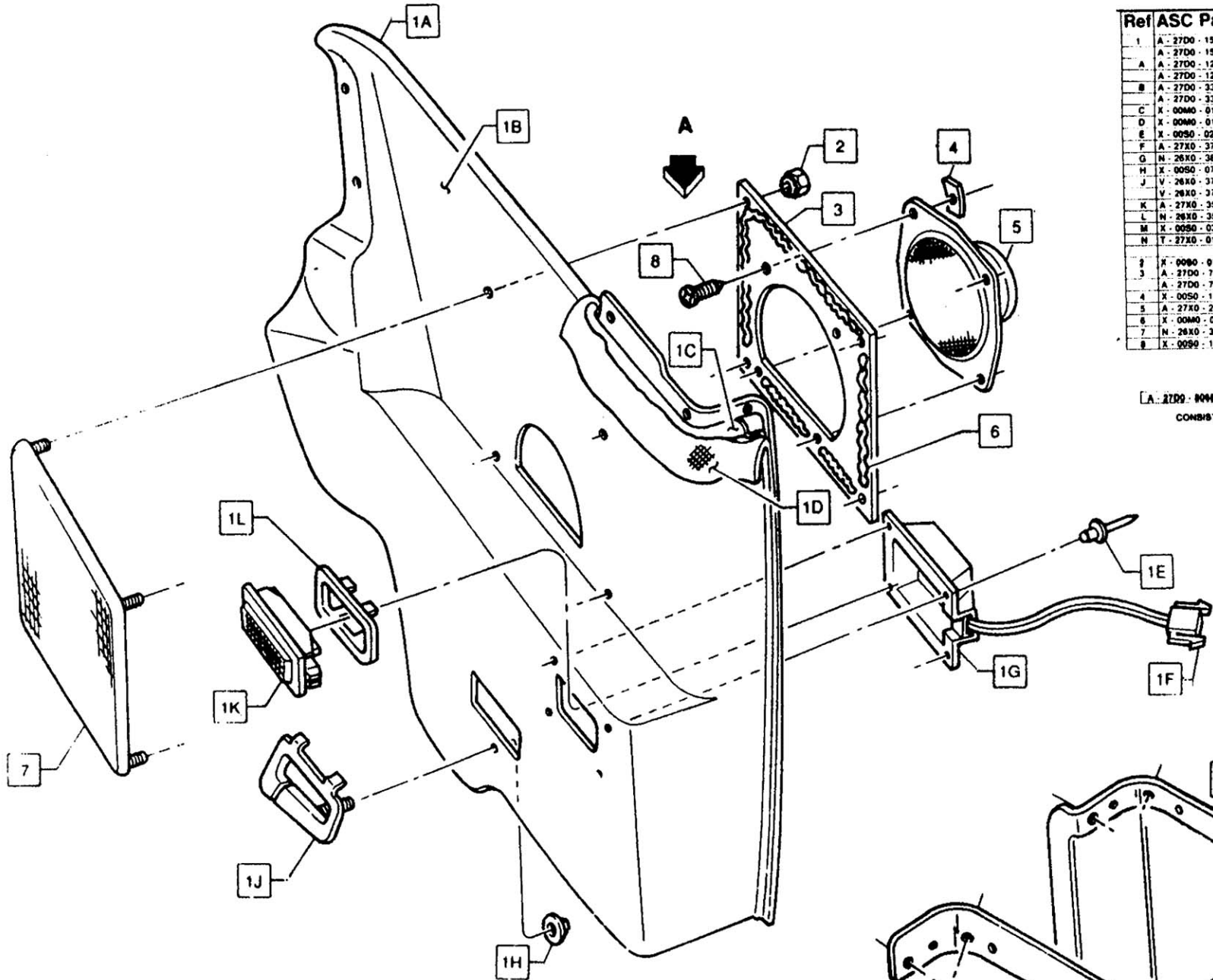
SERVICE ONLY

A - 27A0 - 8068-89	PKG - PNL ASSY QTR TRIM (RH/LH) [OPTIONAL]
CONSISTS OF:	1A 1B 1D 1E 1F 1G 1H 1J 1M 1N 1P 1R



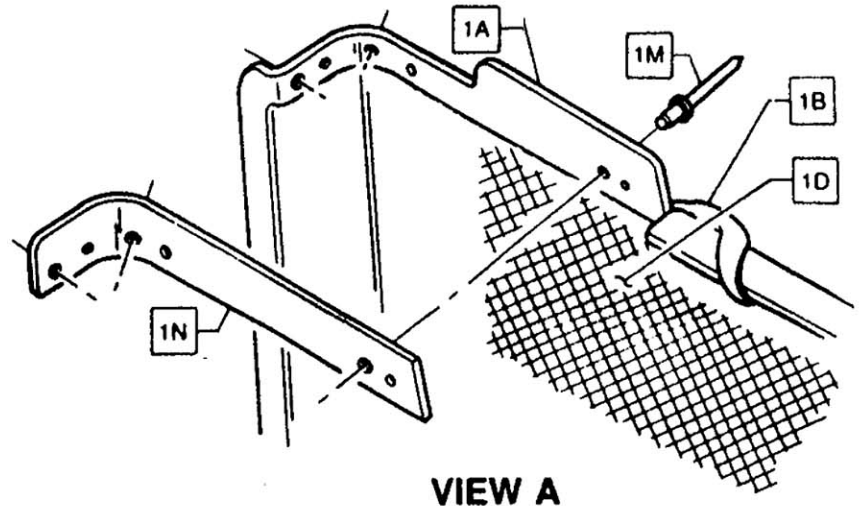
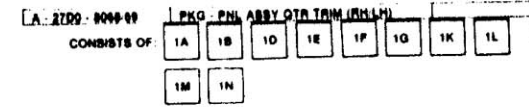
VIEW A

PCR	LET	DRAWING RELEASED	1-25-91	QW	25
		REVISIONS	DATE	DR	CK
		1-25-91 D WHITTLE MONTGOMERY C WOODER B BEMMONE			
1991.5 "F" BODY CONVERTIBLE QUARTER TRIM PANEL ASSEMBLY (CAMARO)			A-27X0-4960-AXXX SHEET 5C		

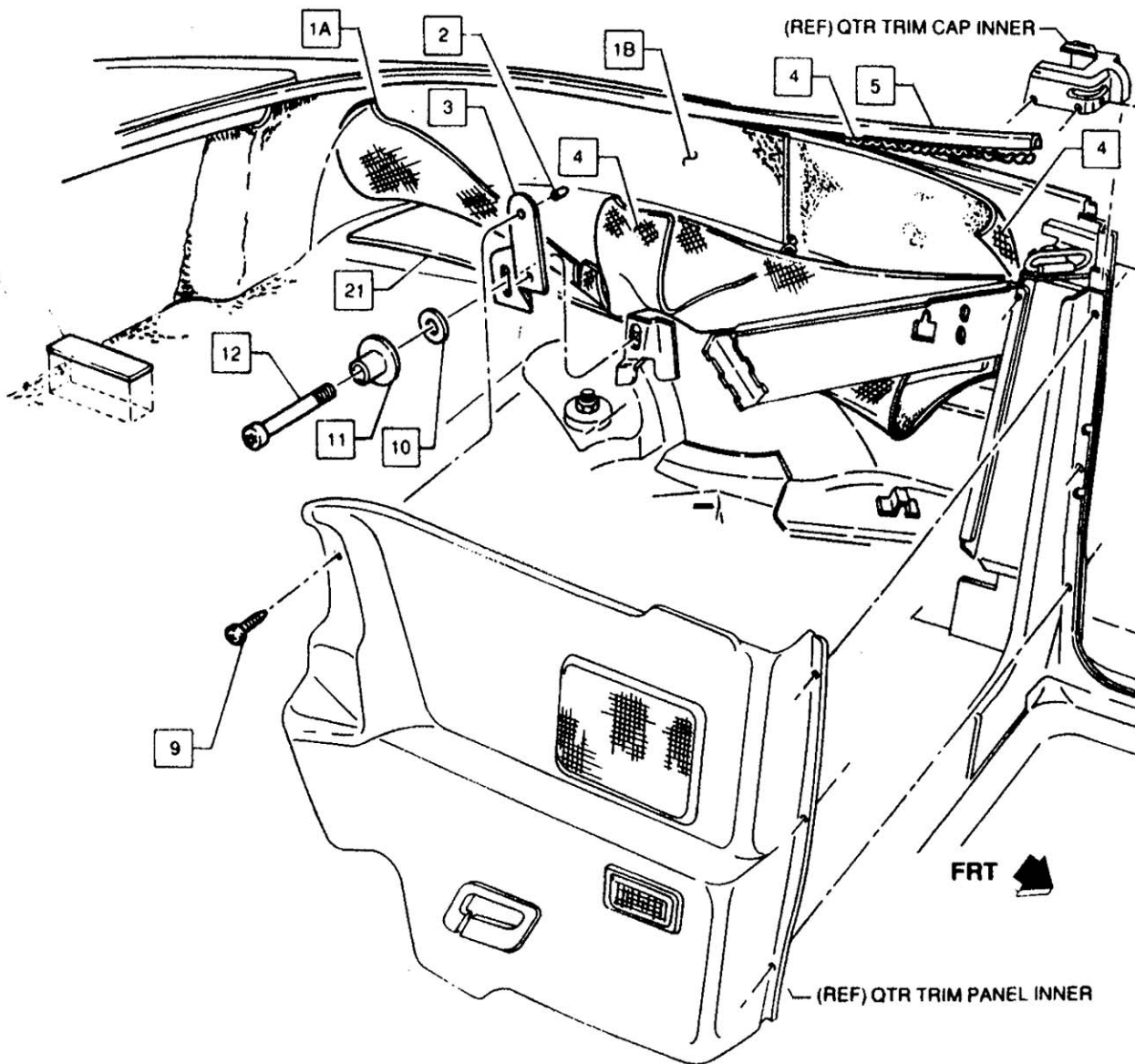


Ref	ASC Part No	Description	GM
1	A - 2700 - 1548	PNL ASSY - QTR TRIM INR (RH)	
	A - 2700 - 1569	(LH)	
A	A - 2700 - 1214	TRIM PNL - QTR INNER (RH)	
	A - 2700 - 1215	(LH)	
B	A - 2700 - 3356	COVER ASSY - QTR TRIM (RH)	
	A - 2700 - 3357	(LH)	
C	X - 0040 - 0116 - XXXX	PAD - FOAM	
D	X - 0040 - 0132 - XXXX	ADHESIVE - SYN RUBBER	
E	X - 0050 - 0246 - XXXX	RIVET (1/8 x 3/12)	
F	A - 27X0 - 3718	JUMPER - COURTESY LAMP	
G	N - 26X0 - 3874	CVR - COURTESY LAMP BACKING	
H	X - 0050 - 0719 - XZTX	NUT	20048623
J	V - 26X0 - 3702	BEZEL - SEAT RETRACTOR (RH)	
	V - 26X0 - 3703	(LH)	
K	A - 27X0 - 3558	LAMP ASSY - COURTESY	
L	N - 26X0 - 3561	RETAINER - COURTESY LAMP	
M	X - 0050 - 0348 - XXXX	RIVET (1/8 x 1/25)	
N	T - 27X0 - 0183	PLATE - 8-PLR CAP TAPPING	
2	X - 0080 - 0778 - XXXX	NUT & WTHR ABBY	11901812
3	A - 2700 - 7430	ADAPTOR PLATE - SPEAKER MTG (RH)	
	A - 2700 - 7431	(LH)	
4	X - 0050 - 1362 - XXXX	NUT - PUSH ON	12510053
5	A - 27X0 - 2082	SPEAKER - REAR (PREMIUM)	16146805
6	X - 0040 - 0189 - XXXX	ADHESIVE - W/STR	
7	N - 26X0 - 3671	GRILLE ASSY - SPEAKER	
8	X - 0050 - 1873 - XZTX	SCREW (8 - 18 x 1.0)	11902488

SERVICE ONLY



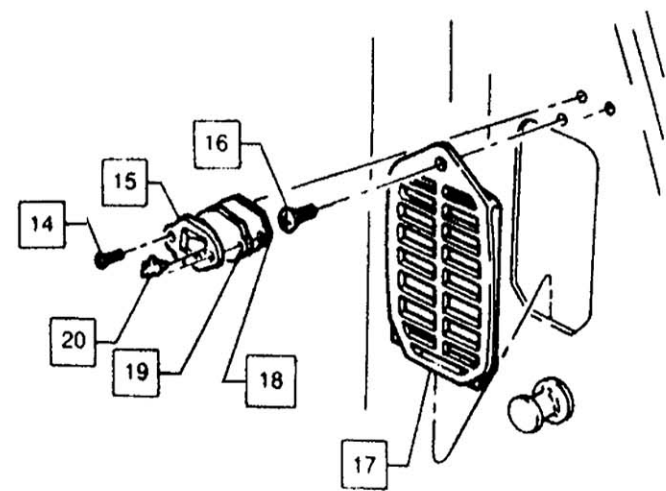
DRAWING RELEASED		1-25-81	DR	CK	APP
PCR	LET	DATE	DR	CK	APP
REVISIONS					
asc		1-25-81			
1991.5 "F" BODY CONVERTIBLE					
QUARTER TRIM PANEL ASSEMBLY (FIREBIRD)					
A-27X0-4960-AXXX		SHEET	5D		



Ref	ASC Part No	Description	GM
1	T-27X0-7306	CARPET ASSY - WHEELHOUSE (RH)	12382511
	(LH)		12392512
A	T-27X0-0732	CARPET - WHEELHOUSE BOTTOM (RH)	
	(LH)		
B	T-27X0-0733	CARPET - WHEELHOUSE SIDE (RH)	
	(LH)		
	T-27X0-3934	CARPET - WHEELHOUSE SIDE (RH)	
	(LH)		
	T-27X0-3935	CARPET - WHEELHOUSE SIDE (RH)	
	(LH)		
2	X-0050-0652	XXXX	
	CAP		
3	T-27X0-7307	BRKT - QTR TRIM ATTACHING (RH)	12331762
	(LH)		12331764
4	X-0040-0132	XXXX	
	ADHESIVE - SYN RUBBER		
5	K-0040-0051	EXXX	
	WELT - CORD		
6	V-27X0-1488	MLDG - B PLR PINCH WELD COMPT (RH)	
	(LH)		
7	Z-0050-2365	XZTX	
	SCR & WSHR ASSY (M4.2 x 1.41 ± 20.0)		11500614
8	Z-27X0-5416	MOLDING - SILL PLATE (RH)	
	(LH)		
9	X-0050-0071	XVNX	
	SCR & WSHR ASSY (Ø .18 x 78)		
10	Z-0050-2360	XZTX	
	WASHER		1727059
11	Z-0050-2368	XXXX	
	SLEEVE		20302572
12	Z-0050-2362	XZTX	
	BOLT (M10 x 1.5 x 65.58)		20148470
13	T-27X0-6845	PLATE - TRUNK CARPET WEAR	
14	Z-0050-2821	XXXX	
	SCREW (M4.2 ± 16.0)		11500647
15	R-28X0-3132	WEDGE PLATE - B PLR	20329444
16	X-0050-0099	XWNS	12500251
	SCREW (Ø .18 x 82)		8788235
17	Z-27X0-7715	VALVE ASSY - B PLR VENT	20452861
18	S-2FA0-0181	SHIM - WEDGE PLATE 2"	20452860
19	S-2FX0-0181	SHIM - WEDGE PLATE 1"	20452860
20	X-0040-0292	AXXX	9906819
	LUBRICANT - DOOR EASE		
21	M-21X0-3436	DEADENER - WHEELHOUSE	

SERVICE ONLY

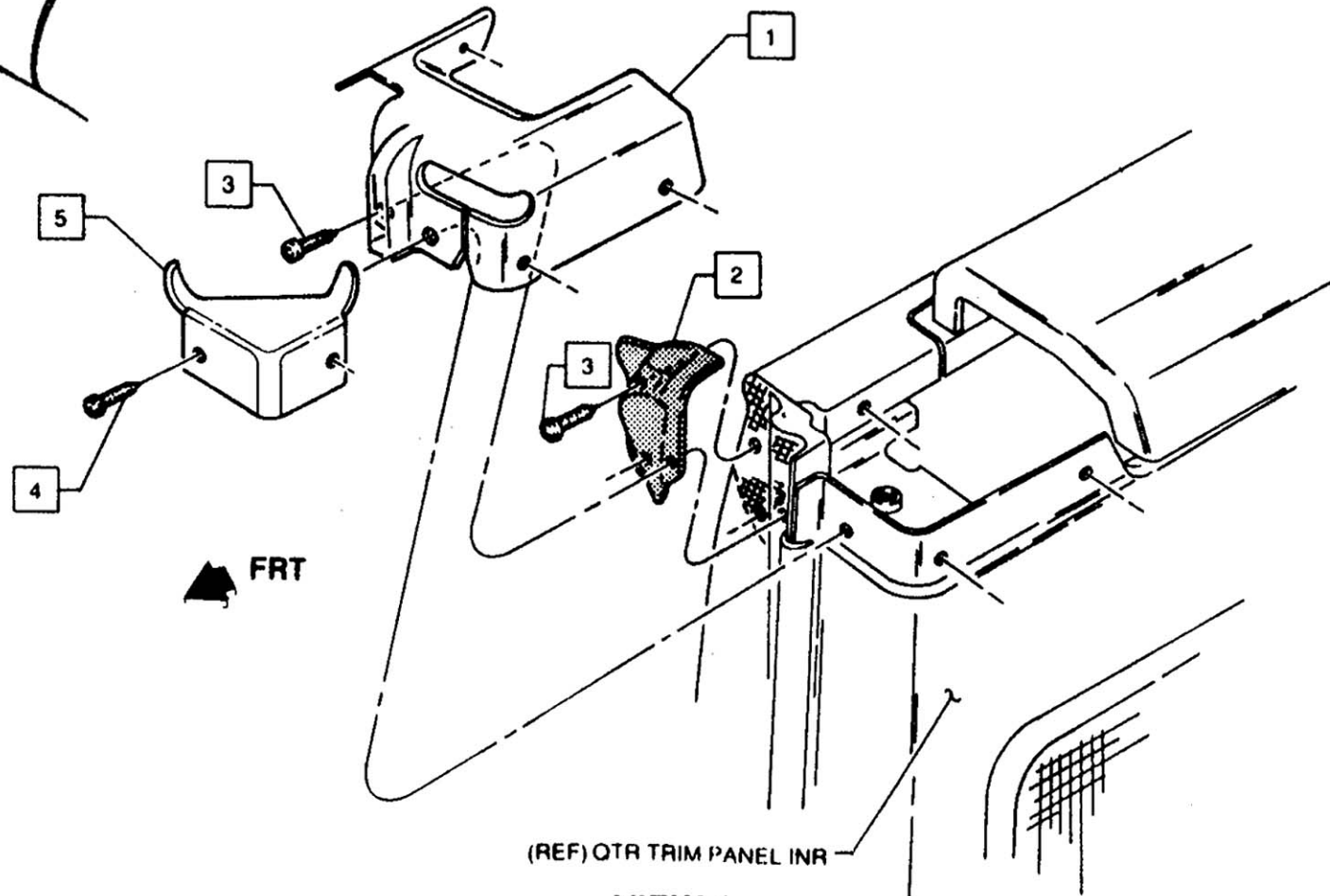
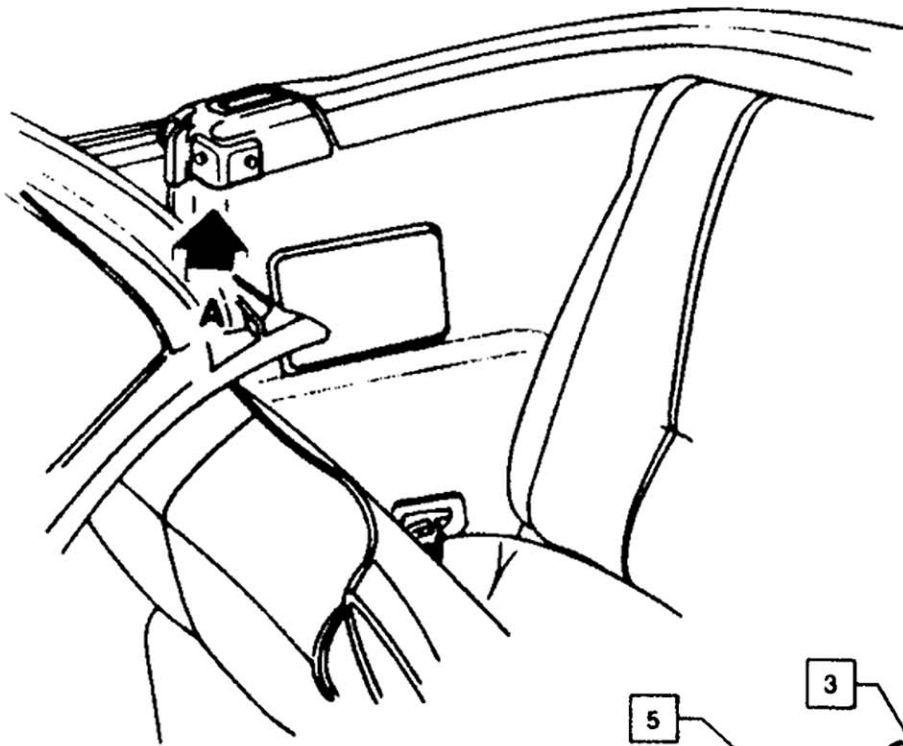
T-27X0-8210 WELT - CORD 12331807
 CONSISTS OF 5



VIEW A

PCB	LEY	DRAWING RELEASED	1-25-91	MD	CK	APP
REVISIONS		DATE	DR			
		ASC Incorporated Graphics Department Engineering Center Southgate Michigan 48196		1-25-91 ILLUSTRATED BY M. BOGLAU CHECKED BY M. MONTGOMERY DESIGNED BY C. WEBER DRAWN BY S. BOHANNON		
1991.5 "F" BODY CONVERTIBLE QUARTER TRIM PANEL INSTALLATION - WEDGE PLATE AND VALVE ASSEMBLY						
A-27X0-4960-AXXX		SHEET 5E				

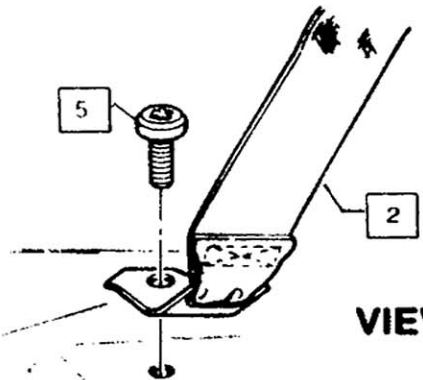
Ref	ASC Part No	Description	GM
1	A - 27X0 - 2328	TRIM CAP - QTR INR UPR (RH)	12509308
	A - 27X0 - 2329	(LH)	12509309
2	W - 27X0 - 3422	SEAL - LOCK PILLAR MUCKET (RH)	12504732
	W - 27X0 - 3423	(LH)	12504733
3	X - 0050 - 0173 - XWSX	SCREW (8 - 18 x 50)	20504108
4	X - 0050 - 0071 - XYNX	SCR & WSHR ASSY (8 - 18 x 75)	
5	A - 27X0 - 5008	BEZEL - SHOULDER BELT (RH)	12508710
	A - 27X0 - 5009	(LH)	12508711



(REF) QTR TRIM PANEL INR

VIEW A

DRAWING RELEASED		1-20-81	MD
PCN	LET	REV	DATE
REVISIONS		DATE	CHK
		1-20-81	
ABC Incorporated Graphics Department Engineering Center Southgate, Michigan 48188		DESIGNED BY	M. BOLOU
		DATE	1-20-81
		DESIGNED BY	H. KWALTON
		CHECKED BY	C. WEBER
		APPROVED BY	S. DENMORE
TITLE 1991.5 "F" BODY CONVERTIBLE QUARTER TRIM CAP AND MUCKET INSTALLATION			
PART NUMBER A-27X0-4960-AXXX		SHEET 5F	

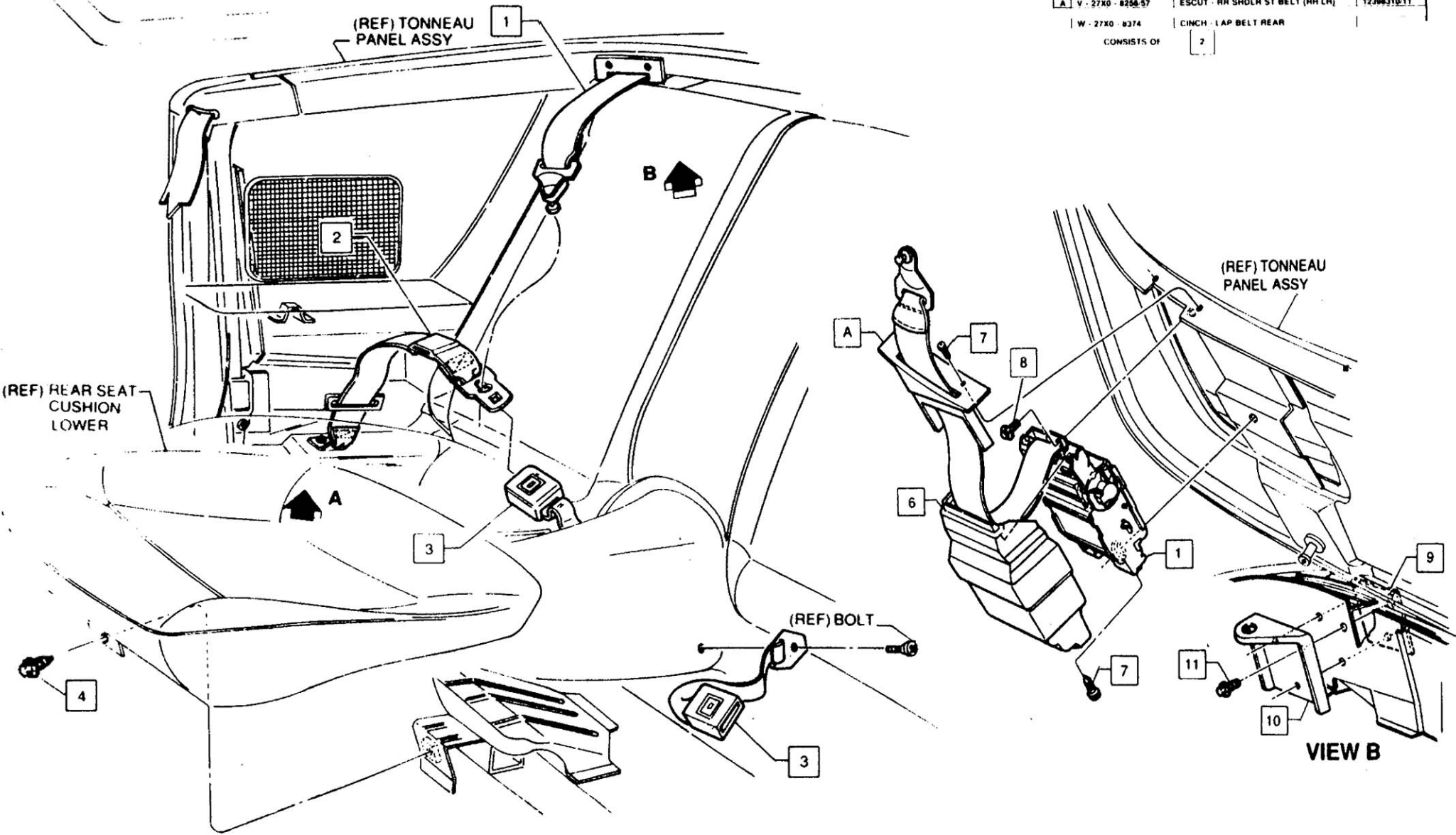


DRAWING RELEASED				1-25-91	JK
PCN	LET	REVISIONS	DATE	CA	CK APP
asc.		ASC Incorporated Graphics Department Engineering Center Southgate Michigan 48199		1-25-91	
1991.5 "F" BODY CONVERTIBLE REAR SEAT RESTRAINT SYSTEMS				C. WEBER	
A-27X0-4960-AXXX				SHEET 5G	

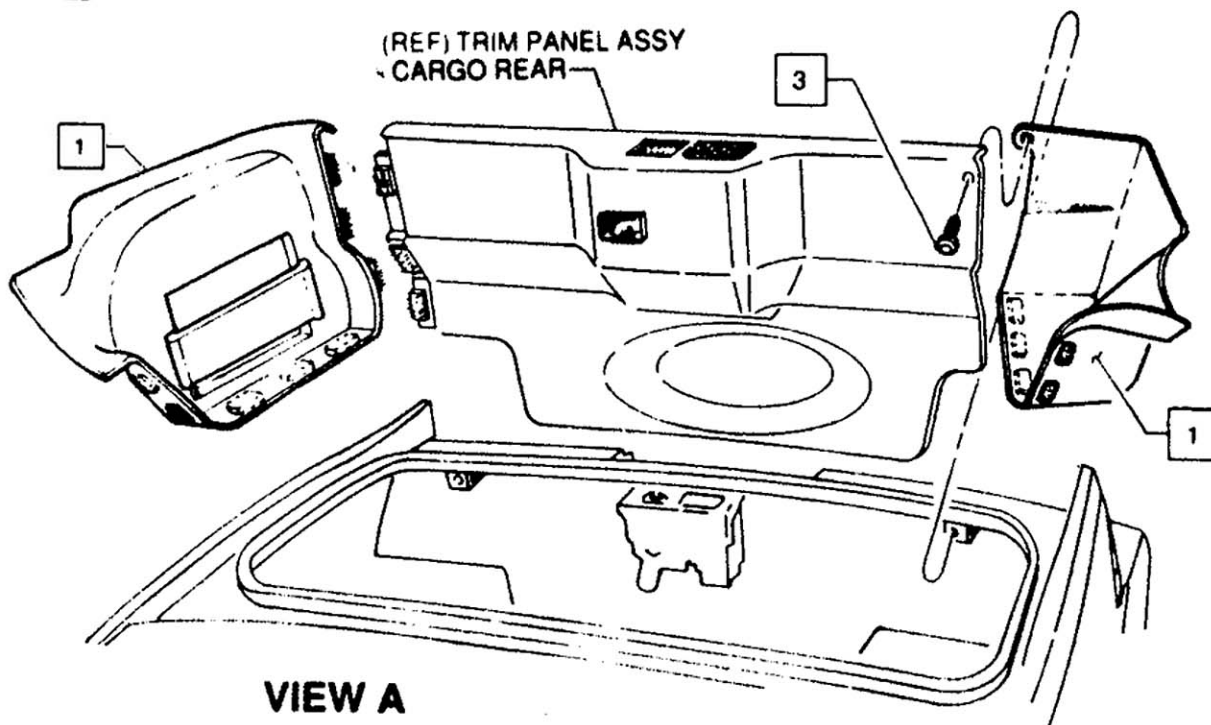
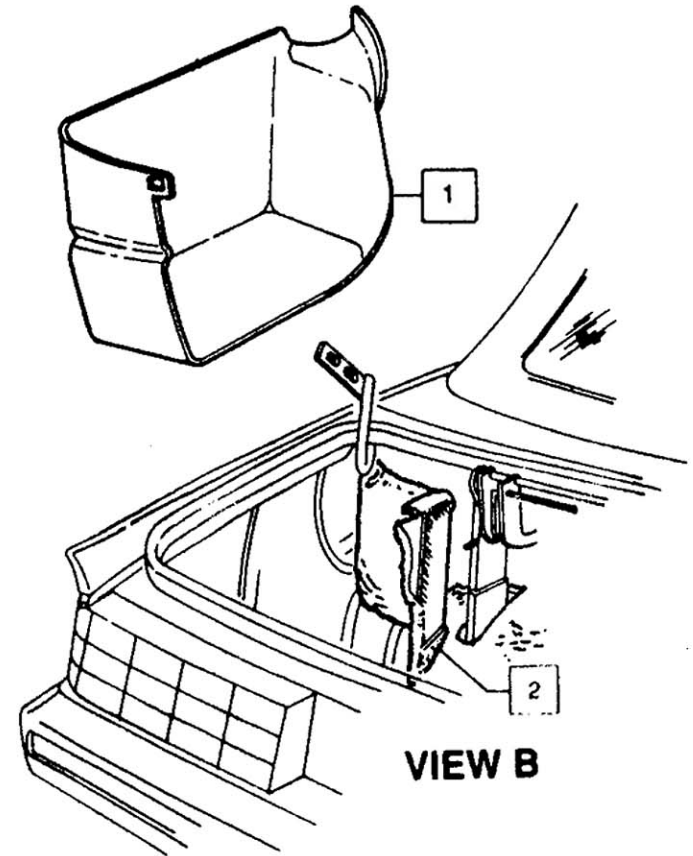
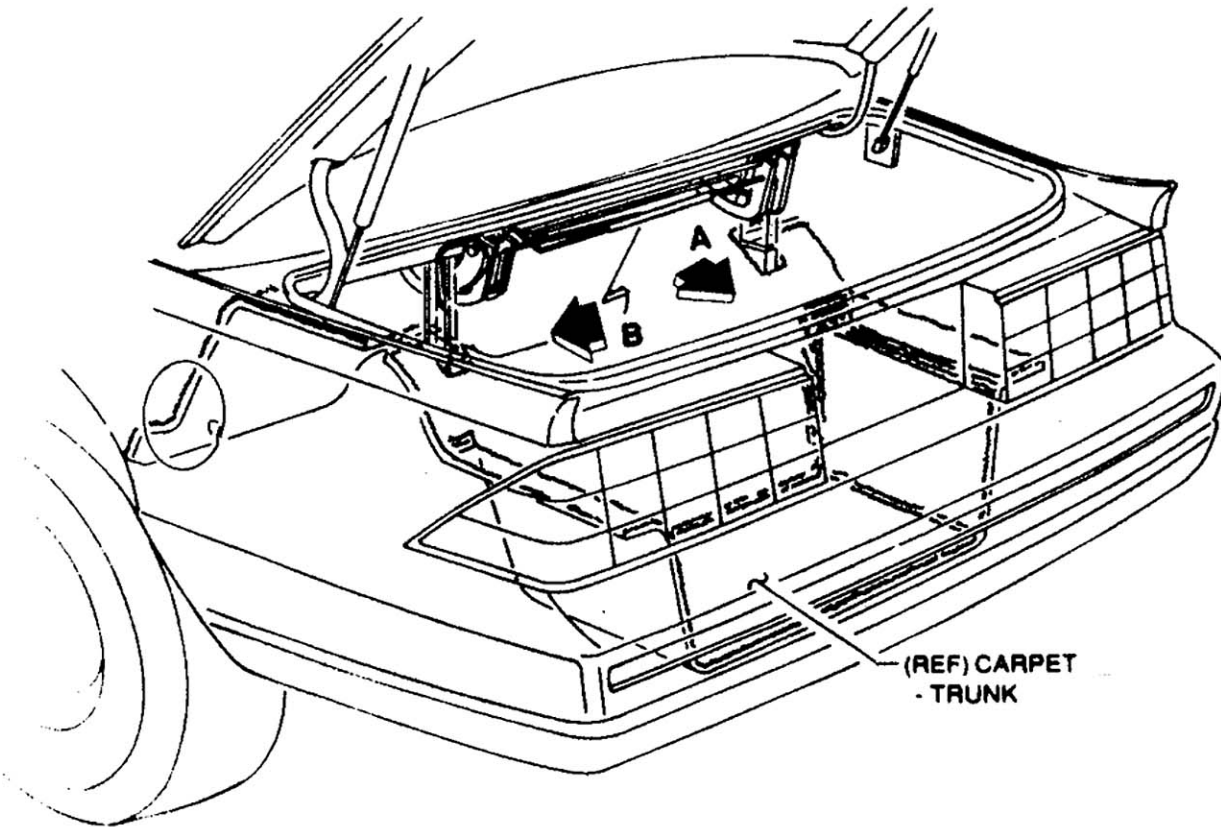
Ref ASC Part No	Description	GM
1	W 27X0 - 3168 RETR ASSY - RR ST SHLDR BELT (RH) (LH)	
2	W 27X0 - 5411 CINCH LAP BELT REAR	
3	Z 27X0 - 3676 BUCKLE - REAR SEAT BELT	
4	Z 0090 - 2359 - XZTX SCR & WSHR ASSY (M8 x 1.25 x 35.0)	20432000
5	X 0050 - 0733 - XZTX BOLT (M12 x 1.75 x 25.0)	20227973
6	W 27X0 - 1088 CVR - RR ST SHOULDER BELT RETR	12905468
7	X 0050 - 0001 - XZAX SCREW (8 - 18 x 50)	12296183
8	X 0050 - 2001 - XZTX SCREW (M8 x 1.25 x 20.0)	20251000
9	V 27X0 - 4465 PLATE ASSY - RCVR PIN BRKT TAPPING	12396151
10	V 27X0 - 2594 BRKT - SECONDARY PIN RECEIVER	12504760
11	X 0050 - 0634 - XZZX BOLT (5.16 - 18 x .75)	

SERVICE ONLY

W 27X0 - 8346 47	RETR ASSY - RR ST SHLDR BLT (RH LH)	
CONSISTS OF		1
A V 27X0 - 8258 57	ESCUT - RR SHLDR ST BELT (RH LH)	12399310.11
W 27X0 - 8374	CINCH LAP BELT REAR	
CONSISTS OF		2

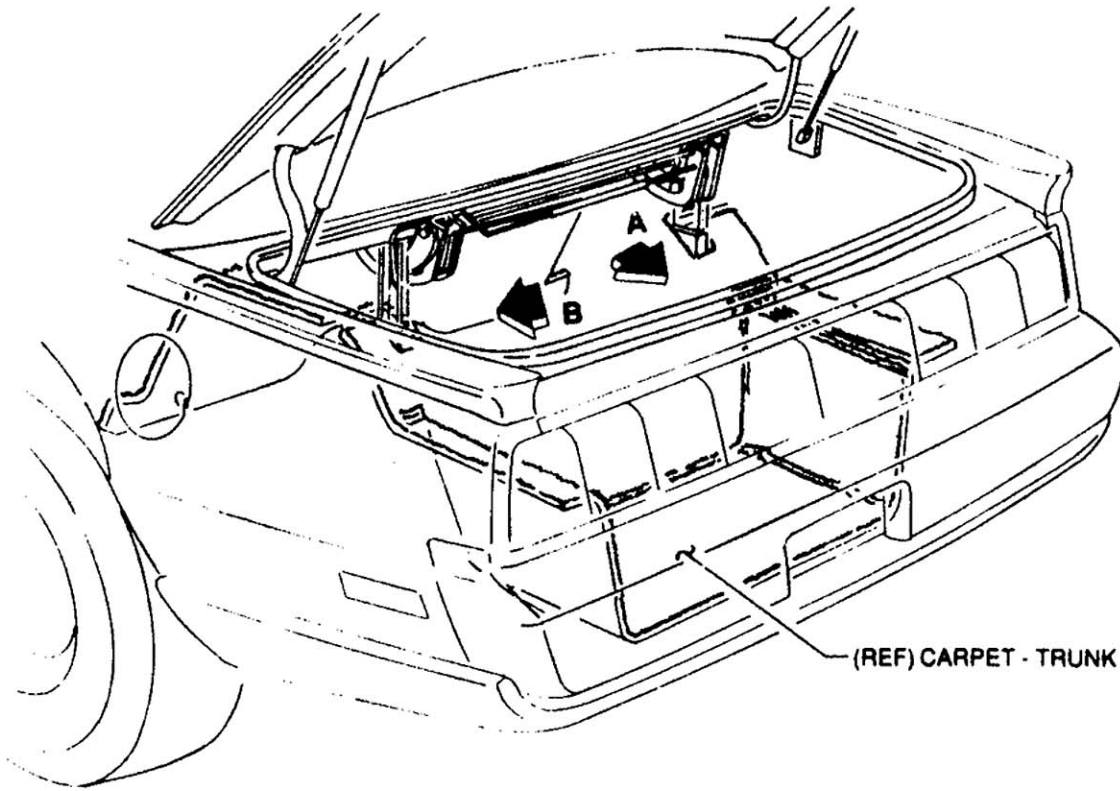


Ref	ASC Part No	Description	GM
1	A - 27X0 - 7950	CARPET - INNER REAR QTR PANEL (RH)	12500046
	A - 27X0 - 7951	(LH)	12500047
2	V - 27X0 - 2318	TRIM PNL ASSY - CARGO FRONT (RH)	12500222
	A - 27X0 - 2319	(LH)	12500223
3	2 - 0050 - 2825 - XXXX	RETAINER	20387349

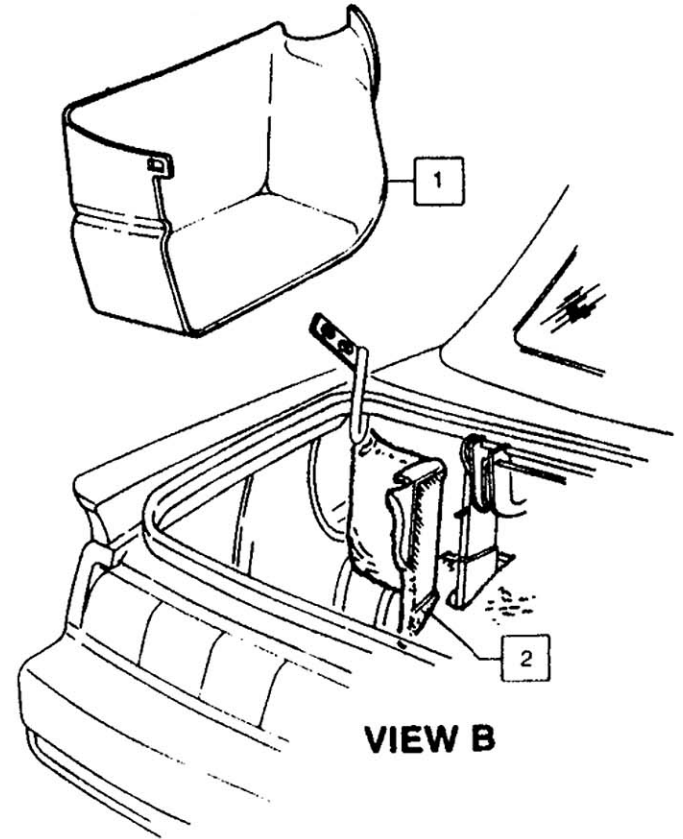


PCR	LEI	DRAWING RELEASED		1 25 91	MD	CK	APP
		REVISIONS		DATE	DR		
		1991.5 "F" BODY CONVERTIBLE TRUNK TRIM (CAMARO)		1-25-91 M BEGLAU MONTGOMERY C WEBER		SHEET 5H	
A-27X0-4960-AXXX				SHEET 5H			

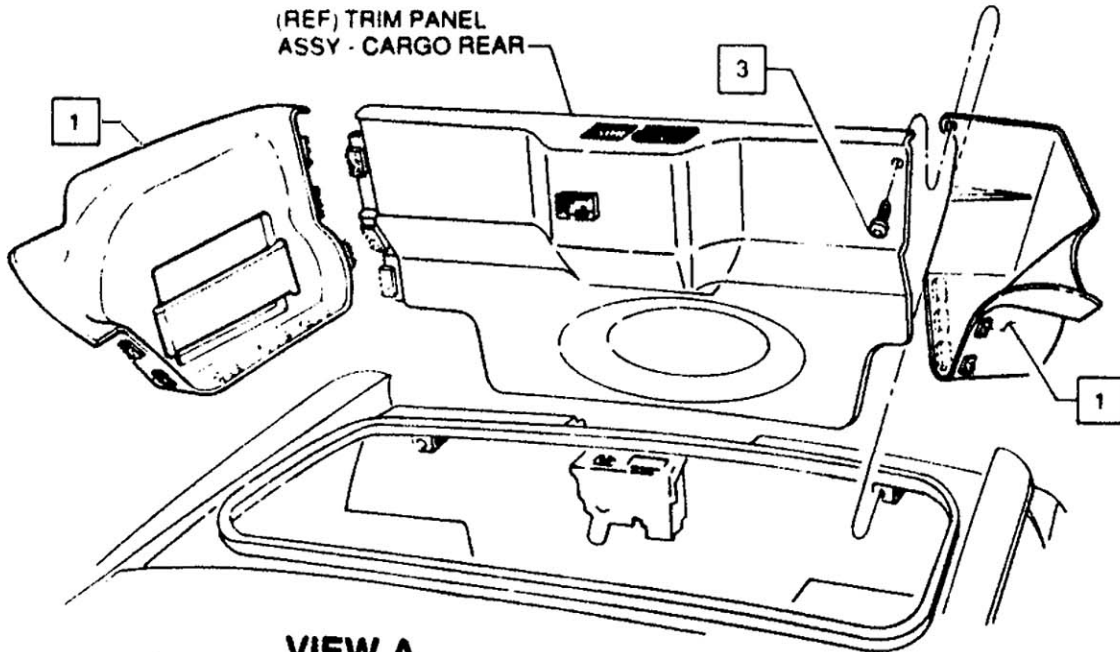
Ref	ASC Part No	Description	GM
1	A - 27X0 - 7950	CARPET - INNER REAR QTR PNL (RH)	12500946
	A - 27X0 - 7951	(LH)	12500947
2	V 27X0 2118	TRIM PNL ASSY CARGO FR1 (RH)	12500222
	A 27X0 2119	(LH)	12500223
3	Z 0080 - 2825 - XXXX	RETAINER	20387349



(REF) CARPET - TRUNK



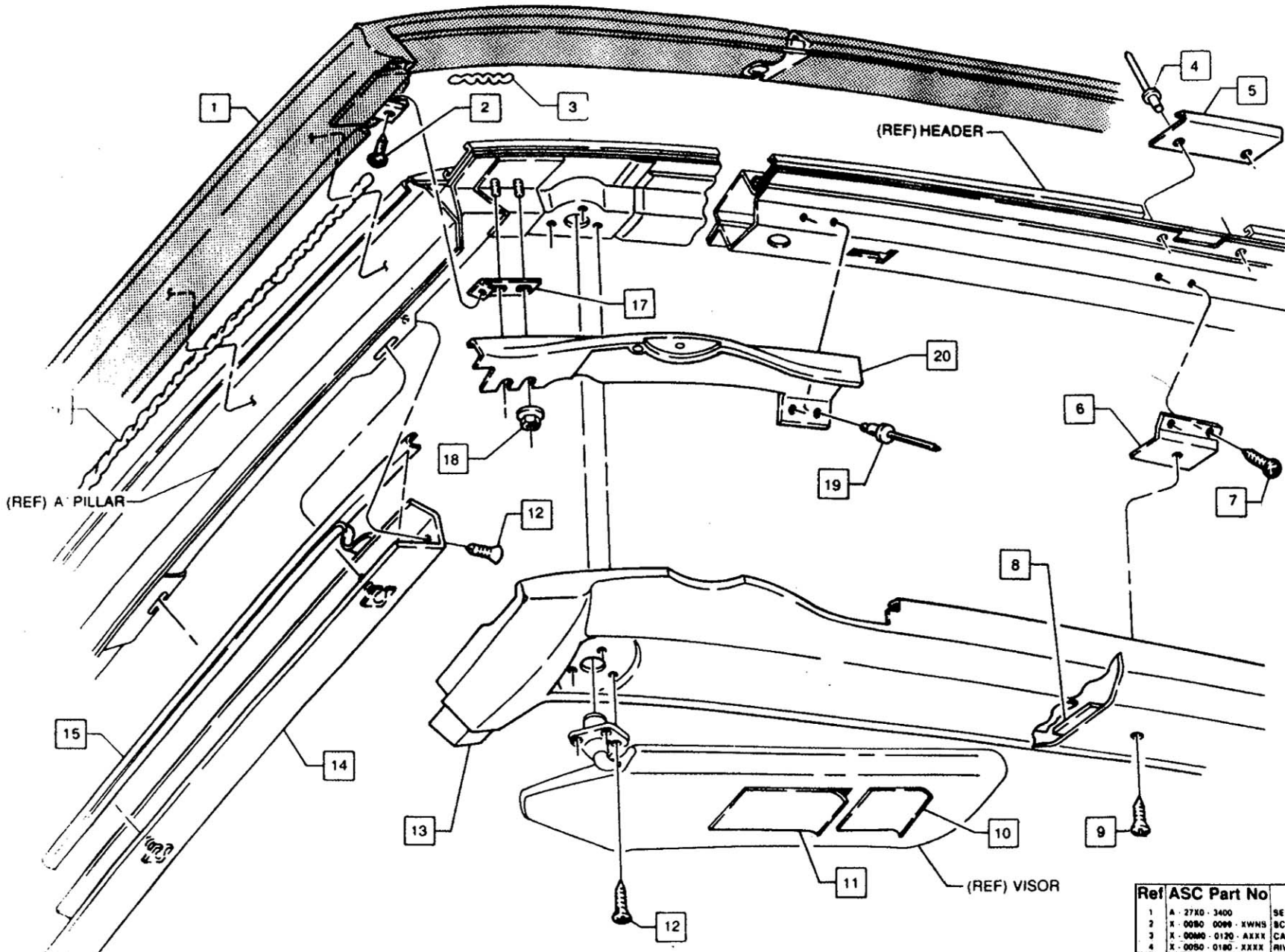
VIEW B



(REF) TRIM PANEL
ASSY - CARGO REAR

VIEW A

PCR	LET	DATE	NO	DR	CK	APP
		DRAWING RELEASED				
		REVISIONS				
		1-25-91	MB			
						1-25-91
						M. BEGLAU
						MONTGOMERY
						C. WEBER
						S. BEHRENS
		1991.5 "F" BODY CONVERTIBLE				
		TRUNK TRIM (FIREBIRD)				
		A-27X0-4960-AXXX	SHEET	5J		

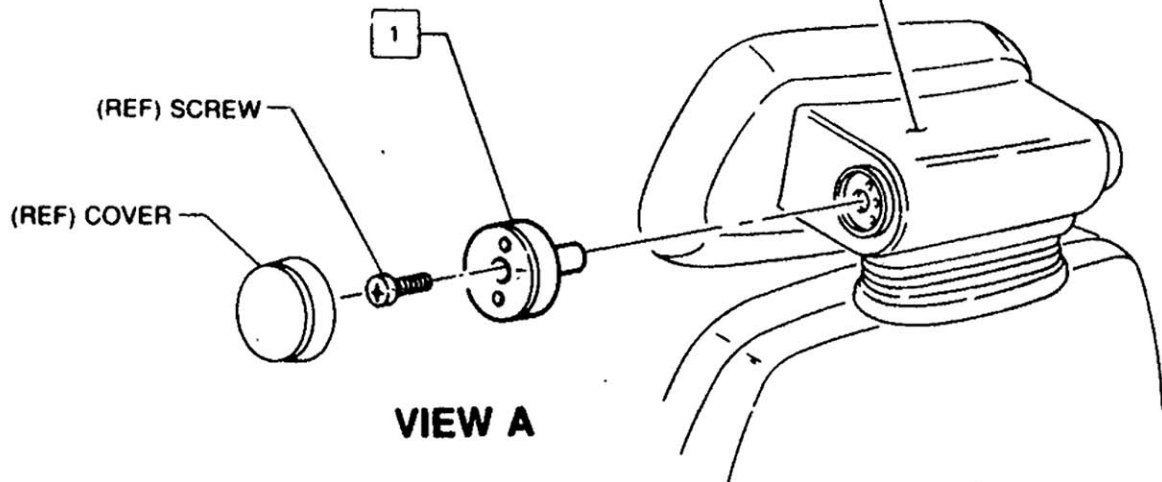


DRAWING RELEASED

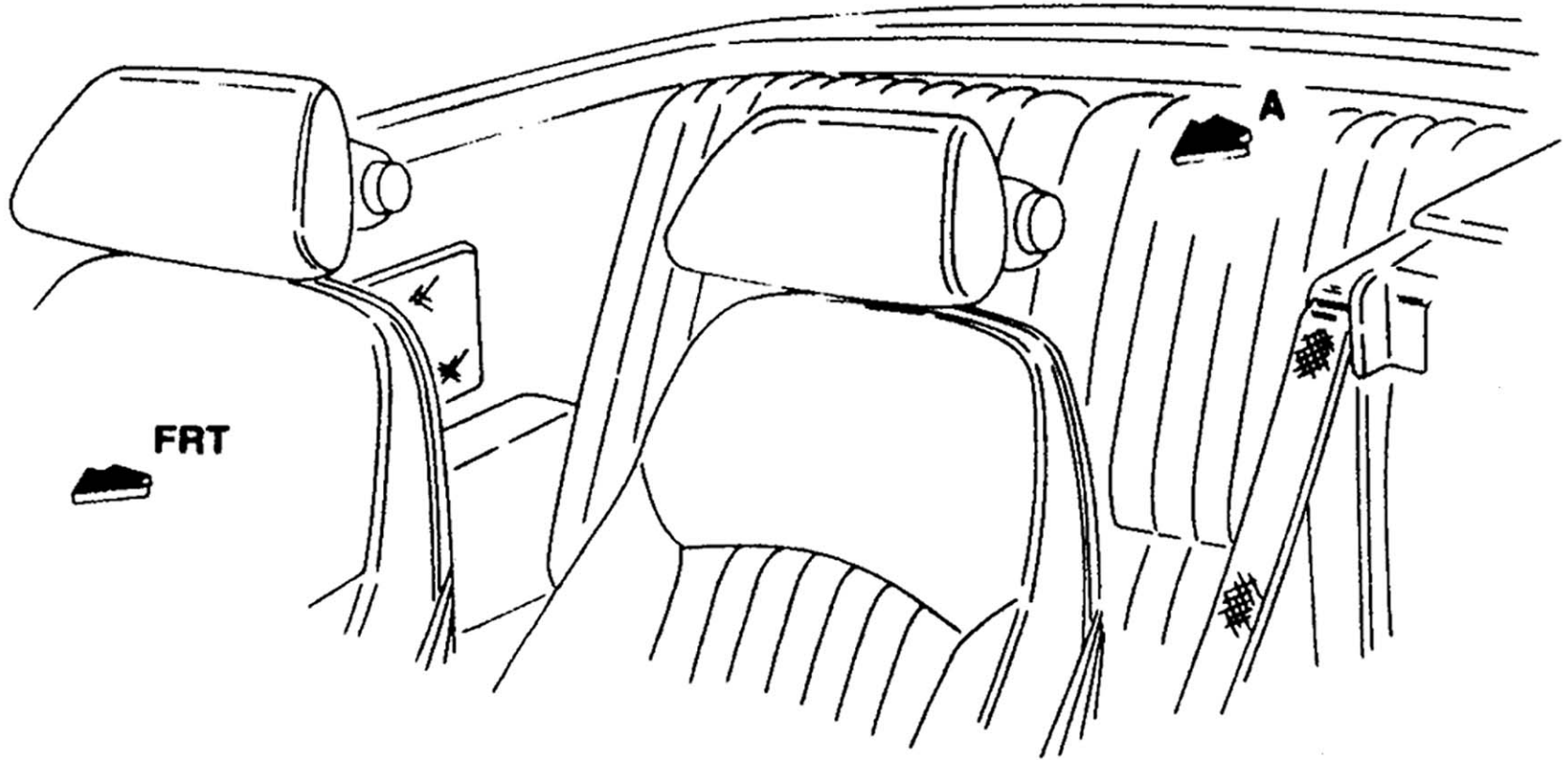
PCR	LET	DATE	DR	CHK	APP
asc Incorporated Graphics Department Engineering Center Southgate Michigan 48190					
1991.5 "F" BODY CONVERTIBLE HEADER ASSEMBLY					
A-27X0-4960-AXXX SHEET 5K					

Ref	ASC Part No	Description	GM
1	A - 27X0 - 3400	SEAL - HEADER A PLR	
2	X - 0080 0099 - XWNS	SCREW (Ø 18 x 62)	12000001
3	X - 0080 0120 - AXXX	CAULKING	
4	X - 0080 0180 - XXXX	RIVET (18 x 375)	
5	T - 27X0 - 2901	BRKT - W S HEADER FILLER	12331723
6	V - 27X0 - 0092	BRKT - HDR GARNISH ATTACHING	12501717
7	X - 0050 0173 - XWSX	SCREW (Ø - 18 x 50)	20504108
8	X - 0080 0193 - BXXX	TAPE - FOAM	
9	X - 0080 0701 - XZTX	SCR & WSHR ASSY (M4.2 x 1.41 x 13.0)	11505158
10	W - 27X0 - 1439	LABEL - INFLATABLE RST SYSTEM	10125254
11	T - 27X0 - 7062	LABEL - VISOR INSTRUCTIONS	
12	X - 0090 1954 - XZTX	SCR & WSHR ASSY (Ø - 18 x 1.28)	12505391
13	A - 27X0 - 3388	GARNISH - HEADER INNER	12509311
14	V - 27X0 - 1130	GARNISH - A PLR INNER (RH)	12331750
15	V - 27X0 - 1131	(LH)	12331751
16	X - 0080 0180 - AXXX	TAPE - FOAM	
17	V - 27X0 - 1335	BRKT - A-S SEAL JOINT ATTACH	12399981
18	X - 0090 0282 - XZXX	NUT & WSHR ASSY	
19	X - 0090 0654 - XXXX	RIVET (25 x 425)	
20	V - 27X0 - 5084	PLATE ASSY - HOUSING HDR LATCH (RH)	12506208
	V - 27X0 - 5085	(LH)	12506207

(REF) HEADREST - ULTIMA SEAT



VIEW A

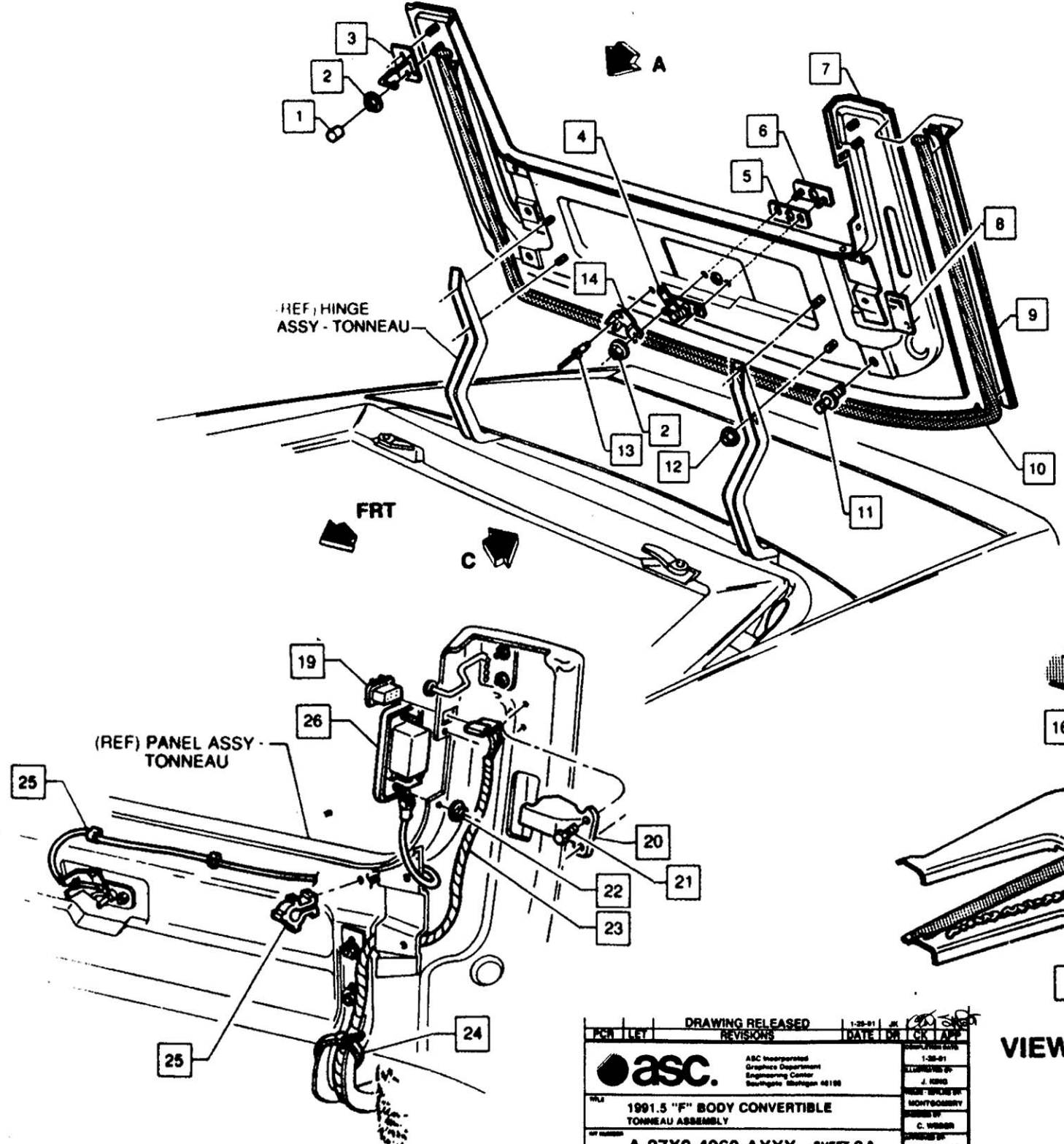


Ref	ASC Part No	Description	GM
1	A-2700-3698	KNOB - HEADREST	2042114

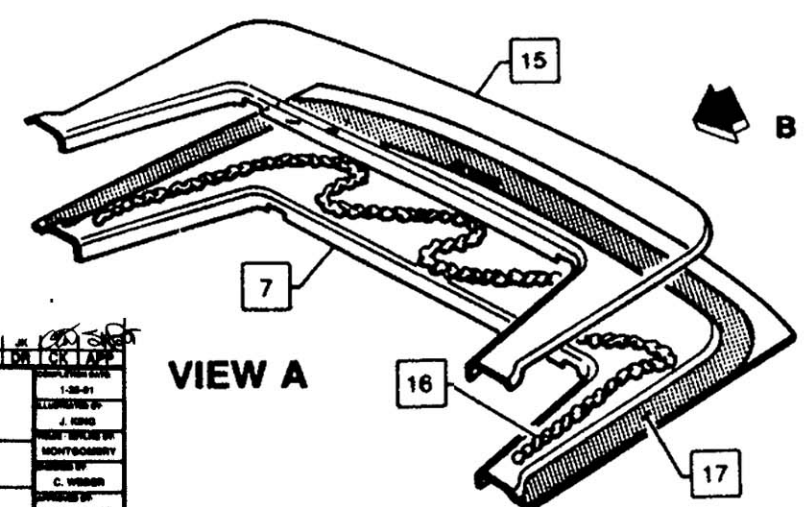
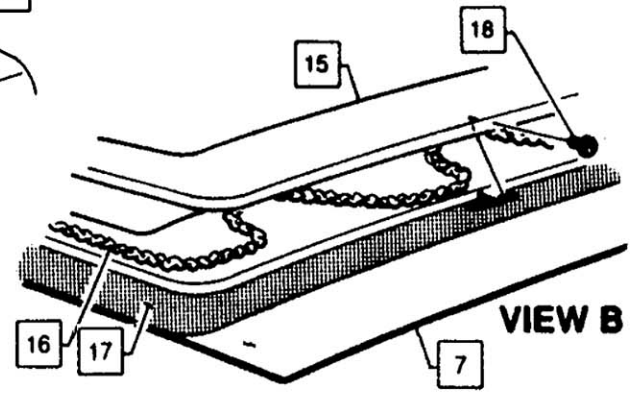
DRAWING RELEASED		1-29-01	DR	CK	APP
PCB	LET	REVISIONS	DATE	DR	
asc					
1991.5 "F" BODY CONVERTIBLE KNOB ADJUSTMENT - HEADREST (PIREBIRD)					
A-27X0-4960-AXXX SHEET 5L					
					1-29-01
					D. HEARN
					D. VILLAROSA
					C. WOODR
					S. BEMORE

SHEET	TITLE
6	CONTENTS - EXTERIOR TRIM
6A	TONNEAU ASSEMBLY
6B	DECK LID LABELS AND HINGE ASSEMBLY - TONNEAU
6C	DECK LID ASSEMBLY (CAMARO)
6D	DECK LID ASSEMBLY (FIREBIRD)
6E	SPOILER AND QUARTER BELT MOLDING ASSEMBLY (CAMARO)
6F	SPOILER AND QUARTER BELT MOLDING ASSEMBLY (FIREBIRD)
6G	PENCIL BRACE INSTALLATION
6H	ROCKER MOLDINGS (CAMARO)
6J	ROCKER MOLDINGS (FIREBIRD)

FOR	LET	REVISIONS	DATE	BY	CHK	APP
		DRAWING RELEASED		1-28-91	CW	
		ASC Incorporated		1-28-91 ILLUSTRATED BY C. WEBBER TRIM / MOLDING BY MONTGOMERY CHECKED BY C. WEBBER APPROVED BY S. BENMORE		
		1991.5 "F" BODY CONVERTIBLE				
		CONTENTS - EXTERIOR TRIM				
PRT NUMBER		A-27X0-1960-AYXX		SHEET 6		



Ref	ASC Part No	Description	GM
1	X-0090-1963-XXXX	CAP	12209717
2	X-0090-0282-KXXZ	NUT & WSHR ASSY	
3	T-27X0-7504	STRKR ASSY - STOWAGE COMPT LID (RH)	12331733
4	T-27X0-7505	(LH)	12331734
5	T-27X0-7252	LATCH ASSY - NO 5 BOW	12209819
6	A-27X0-7280	ISOLATOR - NO 5 BOW LATCH	
7	A-27X0-2177	BEZEL - NO 5 BOW RECEIVER PH	
8	V-27X0-6420	PANEL ASSY - TONNEAU	12209149
9	V-27X0-6420	LABEL - TONNEAU RELEASE	
10	X-0090-0129-KXXX	TAPE	
11	A-27X0-0832	SEAL - TONNEAU PANEL	
12	V-27X0-3426	STRKR - LATCH	16607007
13	X-0090-1736-KXXZ	NUT & WSHR ASSY	
14	X-0090-2484-KXZX	RIVET (1/8 x .187)	
15	V-27X0-2536	BRKT - NO 5 BOW RELEASE	12209821
16	A-27X0-2532	APPLIQUE ASSY - TONNEAU OUTER	12608201
17	X-0090-0180-AXXX	ADHESIVE - WEATHERSTRIP	
18	A-27X0-2840	PROTECTOR - LID FOLDING TOP	
19	X-0090-0071-XYXX	SCR & WSHR ASSY (8 - 18 x .70)	
20	W-27X0-2690	SWITCH - TONNEAU RELEASE	12900474
21	X-0090-1718-KXZX	COVER - SWITCH TONNEAU RELEASE	12510073
22	X-0090-1100-KXXX	SCREW (M4.2 x 1.41 ± 11.0)	20423390
23	A-27X0-0707	HARNES ASSY - TONNEAU RELEASE	
24	X-0090-2813-KXXX	STRAP	
25	X-0090-2483-KXXX	CLIP - TUBE	12209634
26	A-27X0-6861	HANDLE ASSY - NO 5 BOW RELEASE	12209633



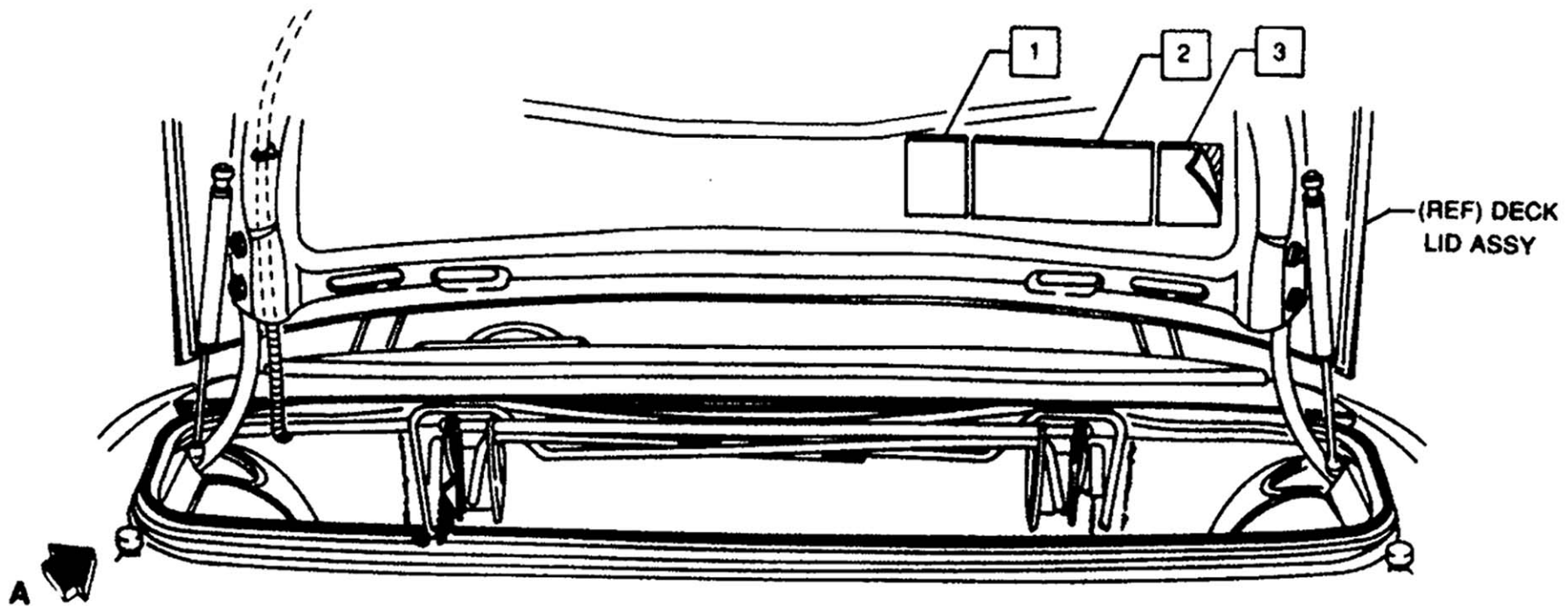
DRAWING RELEASED 1-28-91

PCN	LET	REVISIONS	DATE	DR	CHK	APP

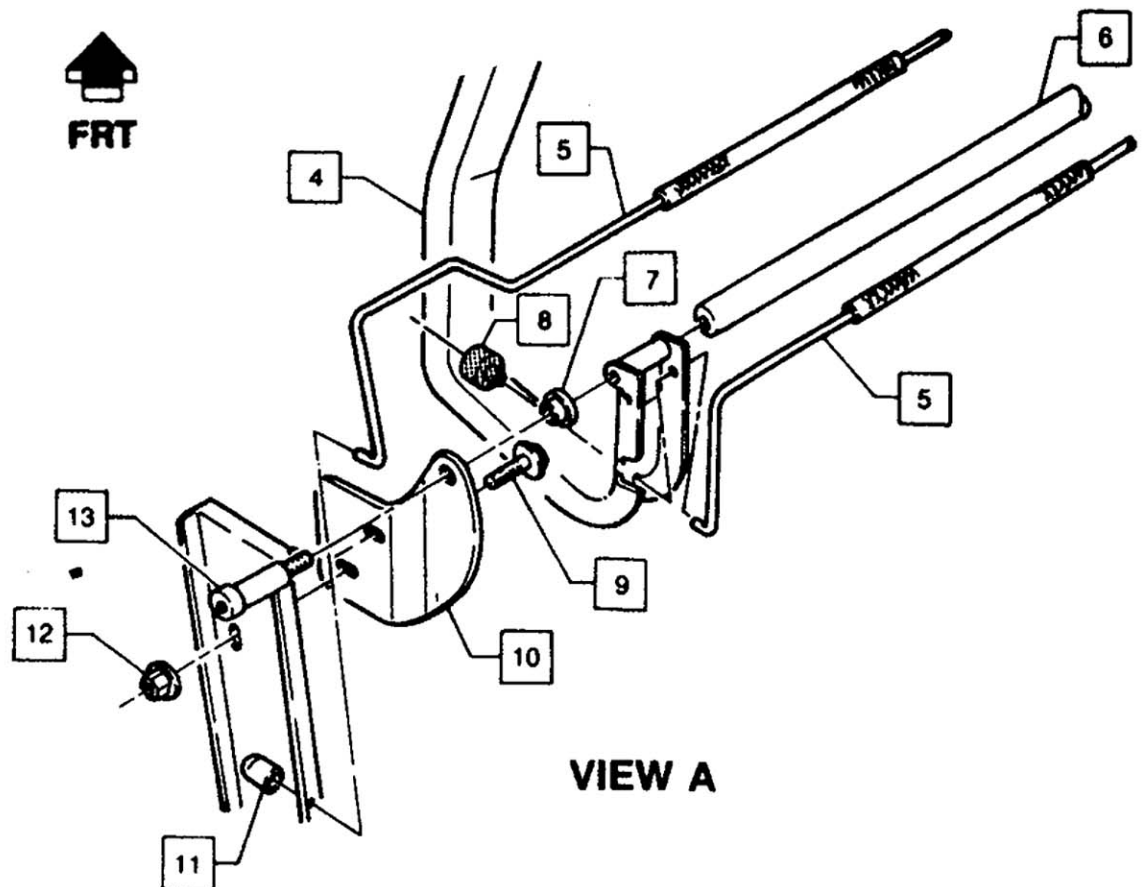
asc. ABC Incorporated
Graphics Department
Engineering Center
Southgate, Michigan 48196

1991.5 "F" BODY CONVERTIBLE
TONNEAU ASSEMBLY

A-27X0-4960-AXXX SHEET 6A




Ref	ASC Part No	Description	GM
1	S - 27X0 - 2410	LABEL - DECK LID OPENING	12307030
2	2 - 27X0 - 3404	LABEL - JACK INSTRUCTIONS	10070204
3	A - 27X0 - 5199	LABEL - SPARE TIRE CVR REMOVAL	
4	T - 27X0 - 0522	HINGE ASSY - TONNEAU PANEL	12304021
5	U - 27X0 - 2492	TORS BAR ASSY - TONNEAU HGE (RH)	12300400
	U - 27X0 - 2493	(LH)	12300401
6	T - 27X0 - 3069	BAR - TONNEAU PNL ASSY HINGE	12331737
7	X - 0080 - 1805 - XZZX	BUSHING	12008030
8	X - 0080 - 1971 - XXXX	BUMPER - RUBBER	
9	X - 0080 - 1728 - XZZX	BOLT (1/4 - 20 X .82)	
10	T - 27X0 - 0356	PLATE - TONNEAU HINGE MTO (RH)	12331736
	T - 27X0 - 0357	(LH)	12331736
11	X - 0080 - 1963 - XXXX	CAP	12300717
12	X - 0080 - 0262 - XZZX	NUT & WBR ASSY	
13	X - 0080 - 1804 - XZTX	BOLT (M6 X 8.0 X 30.0)	12008037

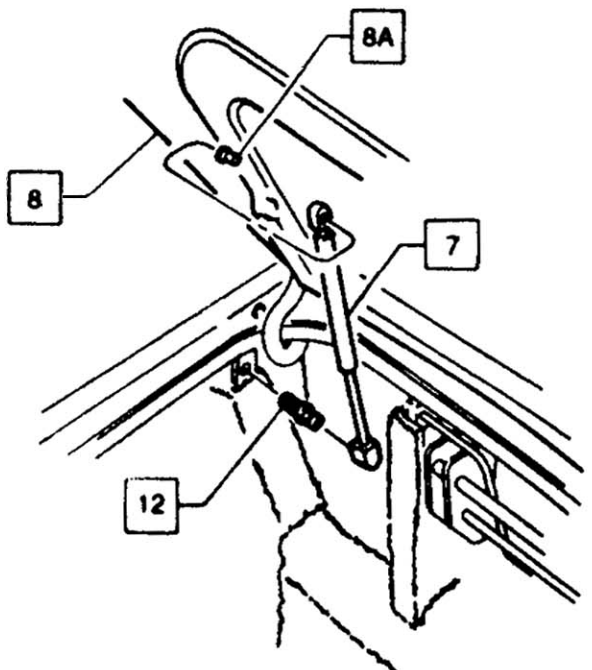


VIEW A

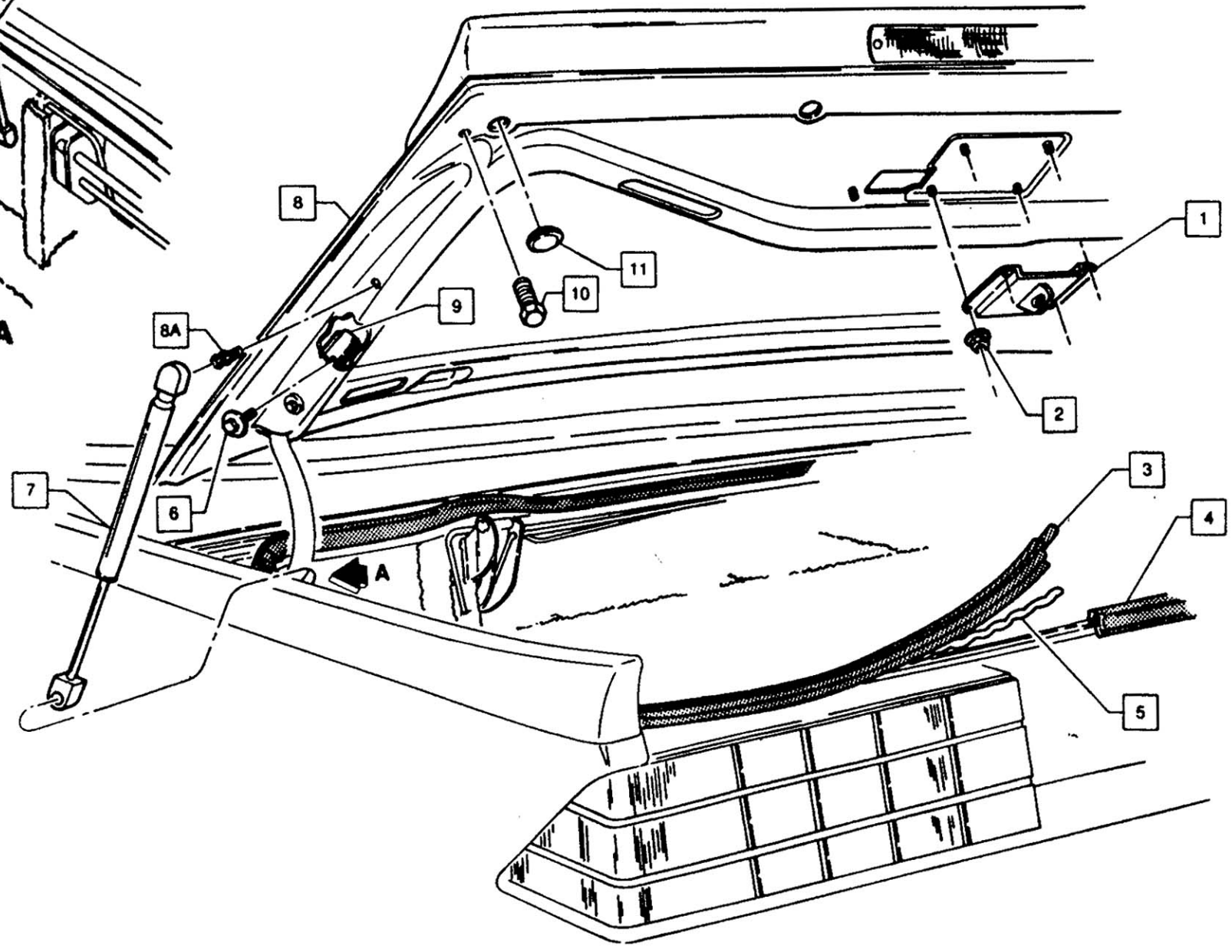
DRAWING RELEASED		1-25-91	JK
FOR	REVISED	DATE	OR
		1-25-91 J. KING C. ALLEN C. WEBER S. SHAWNEE	
1991.5 "F" BODY CONVERTIBLE DECK LID LABELS AND HINGE ASSEMBLY - TONNEAU			
A-27X0-4960-AXXX		SHEET 6B	

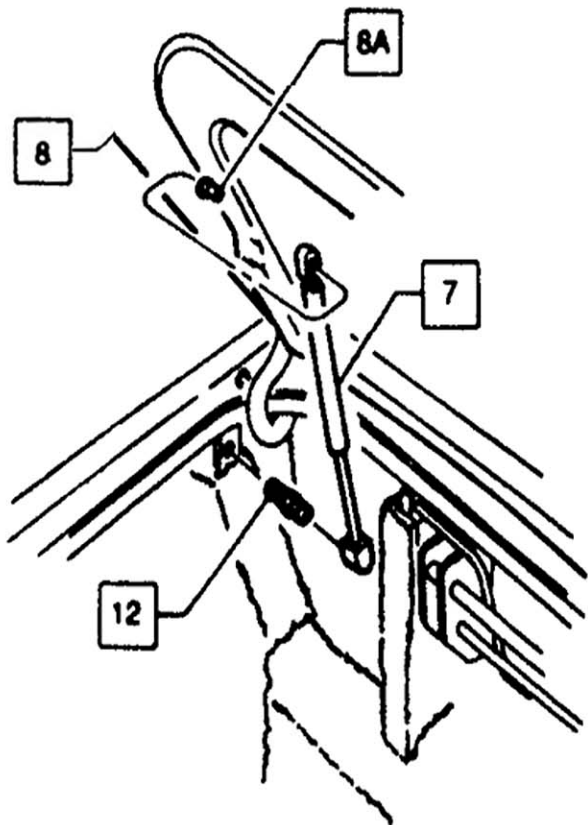
DRAWING RELEASED		DATE ON	DATE OFF
PCB	LET	REVISIONS	CS 1 97
 ASC Incorporated Graphics Department Engineering Center Southfield Michigan 48104		COPIES FROM BATH 1-88-91 ILLUSTRATED BY A. BROS MADE REPLY BY MONTGOMERY CHECKED BY C. WEBER APPROVED BY S. GERSHBERG	
TITLE 1991.5 "F" BODY CONVERTIBLE DECK LID ASSEMBLY (CAMARO)			
A 27X0-4050 AXXX		SHEET 6C	

Ref	ASC Part No	Description	GM
1	Z - 27X0 - 8300	STRIKER - DECK LID	20478882
2	X - 0090 - 0982 - KZZX	NUT & WSHR ASSY	
3	W - 27X0 - 0252	PLUG - DECK LID (OPTIONAL)	12904728
4	B - 27X0 - 0530	BEAL - DECK LID PANEL	12331744
5	X - 0090 - 0180 - AXXX	ADHESIVE - WEATHERSTRIP	
6	X - 0090 - 1725 - KWXX	SCR & WSHR ASSY (5/16 - 18 x 1.00)	
7	W - 27X0 - 3195	GAS STRUT ASSY - DECK LID SUPPORT	12904781
8	W - 27X0 - 7219	PANEL ASSEMBLY - DECK LID	
A	X - 0090 - 1130 - KZUX	STUD - BALL (M9.85 x 5/16 - 18)	12386886
9	X - 0090 - 1681 - KZZX	NUT - U TYPE	
10	A - 27X0 - 2878	BUMPER - DECK LID OVERBLAM	10110556
11	X - 0090 - 1294 - XXXX	PLUG - FLUSH BUTTON	20623521
12	X - 0090 - 1130 - KZUX	STUD - BALL (M9.85 x 5/16 - 18)	12386886

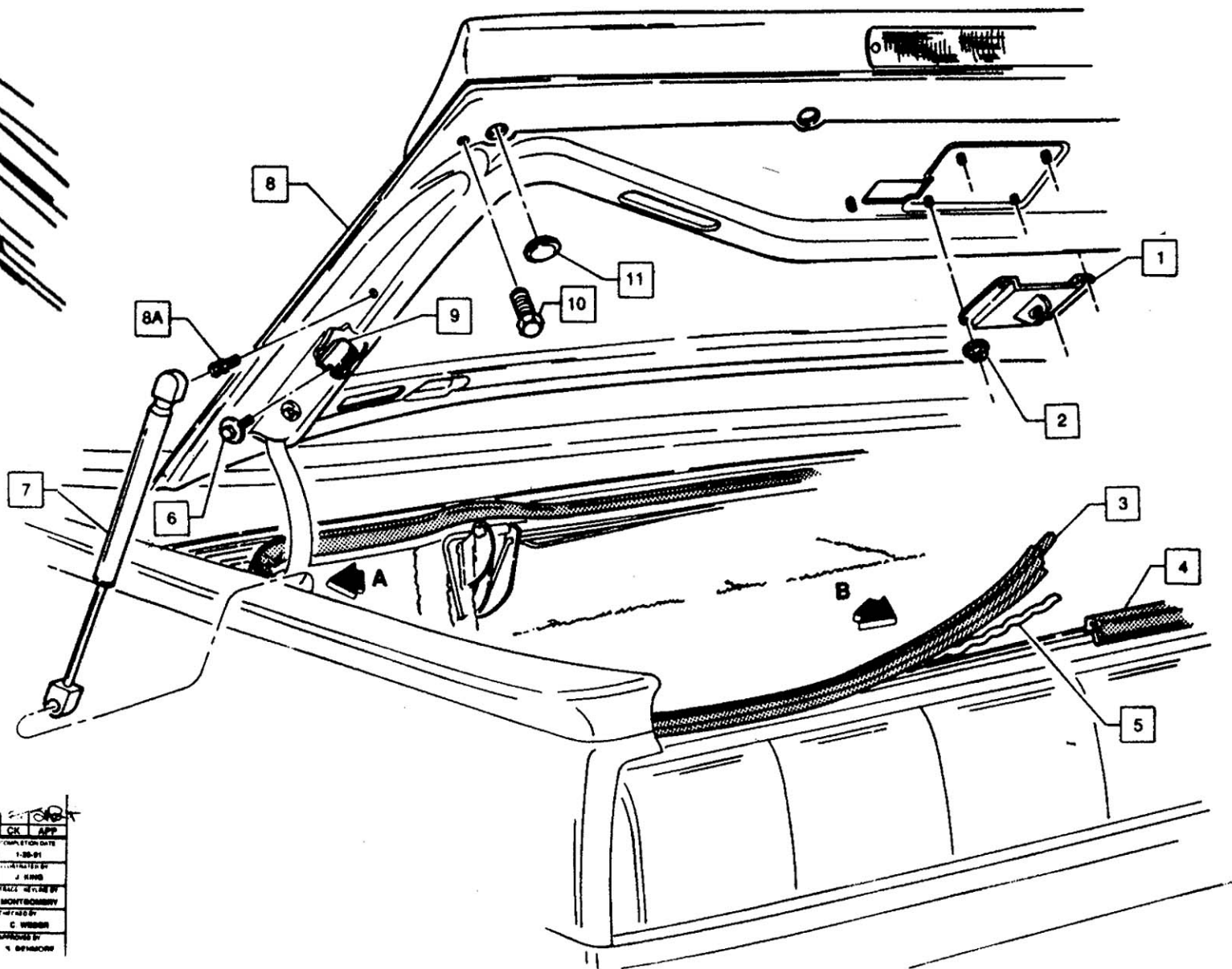


VIEW A



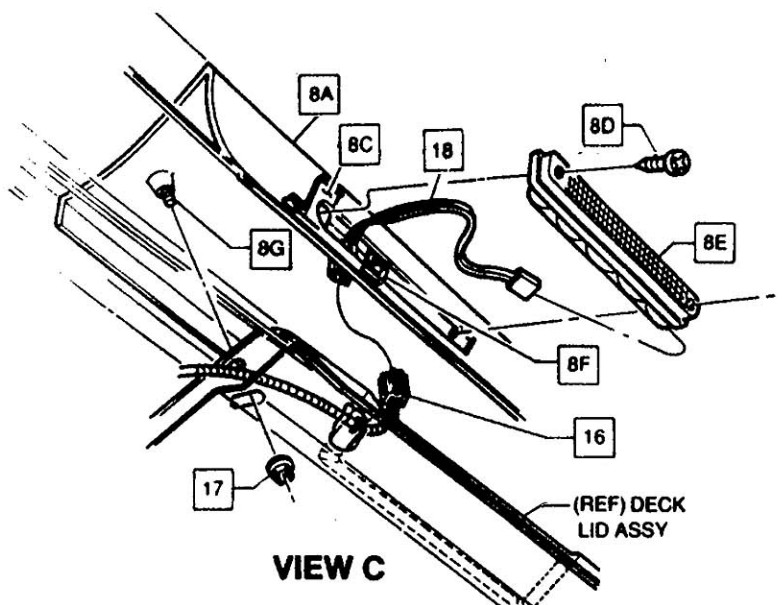


VIEW A

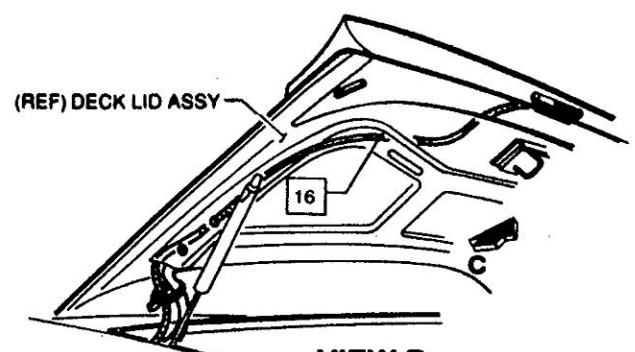


Ref	ASC Part No	Description	GM
1	2-27X0-8300	STRIKER - DECK LID	28478992
2	X-0090-0282-KZZX	NUT & WSHR ASSY	
3	W-27X0-0283	PLUG - DECK LID (OPTIONAL)	12804728
4	B-27X0-0630	SEAL - DECK LID PANEL	12331744
5	X-0090-0188-AXXX	ADHESIVE - WEATHERSTRIP	
6	X-0090-1725-KWXX	SCR & WSHR ASSY (5/16 - 18 ± 1.0)	
7	W-27X0-3185	GAS STRUT ASSY - DECK LID SUPPORT	12904781
8	W-27X0-7219	PANEL ASSY - DECK LID	
A	X-0090-1130-KZUX	STUD - BALL (M8.85 ± 5/16 - 18)	12388996
9	X-0090-1881-KZZX	NUT - U TYPE	
10	A-27X0-2678	BUMPER - DECK LID OVERSLAM	10110656
11	X-0090-1294-XXXX	PLUG - FLUSH BUTTON	20903521
12	X-0090-1130-KZUX	STUD - BALL (M8.85 ± 5/16 - 18)	12388996

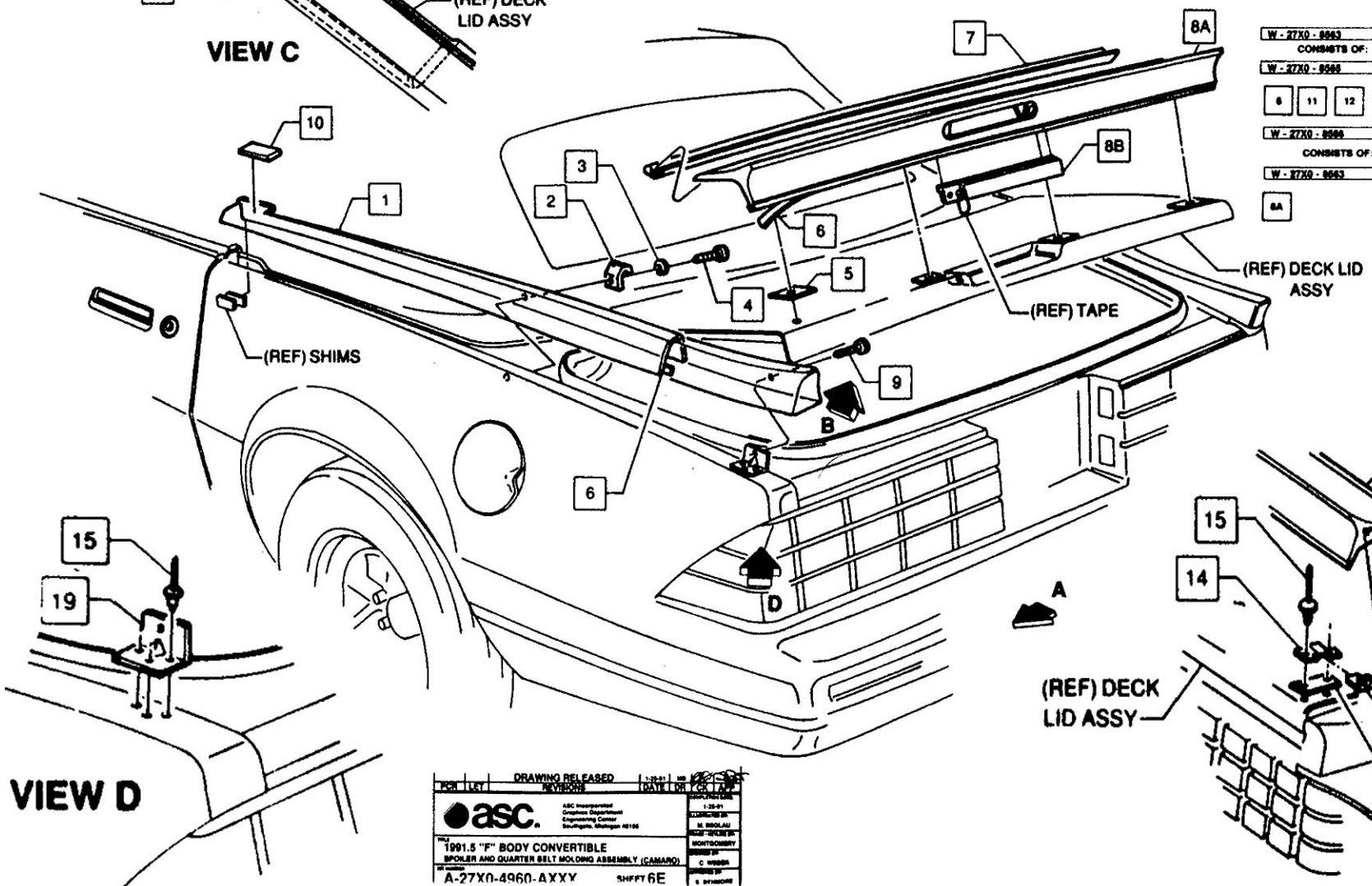
PCB	LET	REVISIONS	DATE	DR	CK	APP
		ASC Incorporated Graphical Department Engineering Center Pontiac, Michigan 48104		COMPLETION DATE 1-28-91 DESIGNED BY J. SINGH CHECKED BY MONTY BOMBARDY DRAWN BY C. WISBER APPROVED BY J. BOMBARDY		
TITLE 1991.5 "F" BODY CONVERTIBLE DECK LID ASSEMBLY (FINEBIRD)						
PART NUMBER A-27X0-4960-AYXX		SHEET 6D				



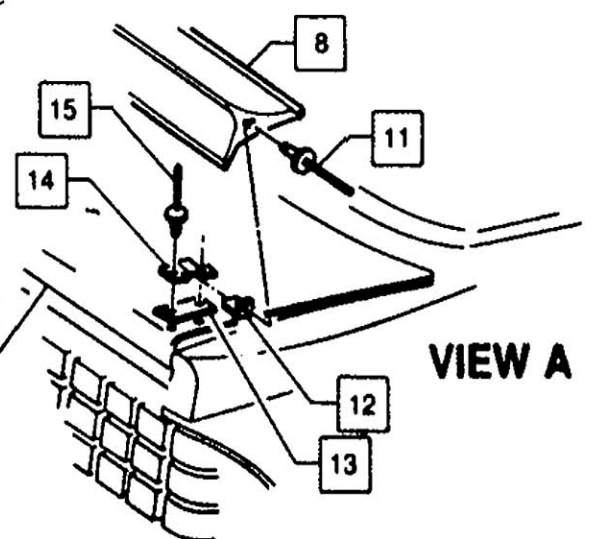
VIEW C



VIEW B



VIEW D



VIEW A

Ref	ASC Part No	Description	GM
1	W - 27X0 - 0630	CAP - QTR BELT MLDG (RH)	
	W - 27X0 - 0631	(LM)	
2	T - 27X0 - 2679	BUMPER - DECK LID PANEL STABILIZER	12331747
3	X - 0080 - 0007 - XWTX	WASHER	114906 L/F
4	X - 0080 - 1964 - XXTX	SCR & WSHR ASSY (8 - 18 ± 1.26)	12902361
5	X - 0080 - 0378 - AXXX	SOUND PAD - MORTELL	
6	X - 0080 - 0363 - CXXX	TAPE - ACRYLIC	
7	V - 27X0 - 8906	WELT - SPOILER ISOLATOR	12331999
8	V - 27X0 - 7695	SPOILER ASSY - DECK LID	
A	V - 27X0 - 7695	SPOILER ASSY - PRIMED	
B	U - 27X0 - 2772	REINF - CHMSL STRAP	
C	U - 27X0 - 0518	BRKT - CHMSL MTG	
D	X - 0080 - 0294 - XWYX	SCREW (8 - 18 ± 1.26)	
E	T - 27X0 - 0462	LAMP ASSY - CHMSL	818872
F	X - 0080 - 0867 - XXXX	NUT - "U" TYPE	09634621
G	V - 27X0 - 7466	STUD ASSY - SPOILER MTG	
9	X - 0080 - 0071 - XYNX	SCR & WSHR ASSY (8 - 18 ± .75)	
10	A - 27X0 - 0602	PROTECTOR - STRP (RH)	12000960
	A - 27X0 - 0603	(LM)	12000961
11	X - 0080 - 3409 - XZDX	RIVET (1/8 × .250)	
12	V - 29X8 - 2187	BRKT - EXTENSION MTG END	
13	X - 0080 - 0390 - BXXX	TAPE - POLYURETHANE	
14	T - 21X4 - 8806	BRKT - ROOF CAP	12906199
15	X - 0080 - 0320 - XXXX	RIVET (1/8 × .125)	
16	U - 27X0 - 0701	HARNES ASSY - CHMSL	12382206
17	X - 0080 - 0282 - XXXX	NUT & WSHR ASSY	
18	A - 27X0 - 0337	HARNES - JUMPER WIRE CHMSL	
19	W - 27X0 - 3733	BRKT - QTR BELT MLDG CAP RR	12504784

SERVICE ONLY

W - 27X0 - 8563	KIT - SPOILER ATTACHMENT	12806119
CONSISTS OF:		
W - 27X0 - 8566	INSTRUCTION - SPOILER ATTACHMENT	
6	11	12
13	14	18
W - 27X0 - 8566	KIT - SPOILER W/ATTACHMENTS	12506369
CONSISTS OF:		
W - 27X0 - 8563	KIT - SPOILER ATTACHMENTS	12806119

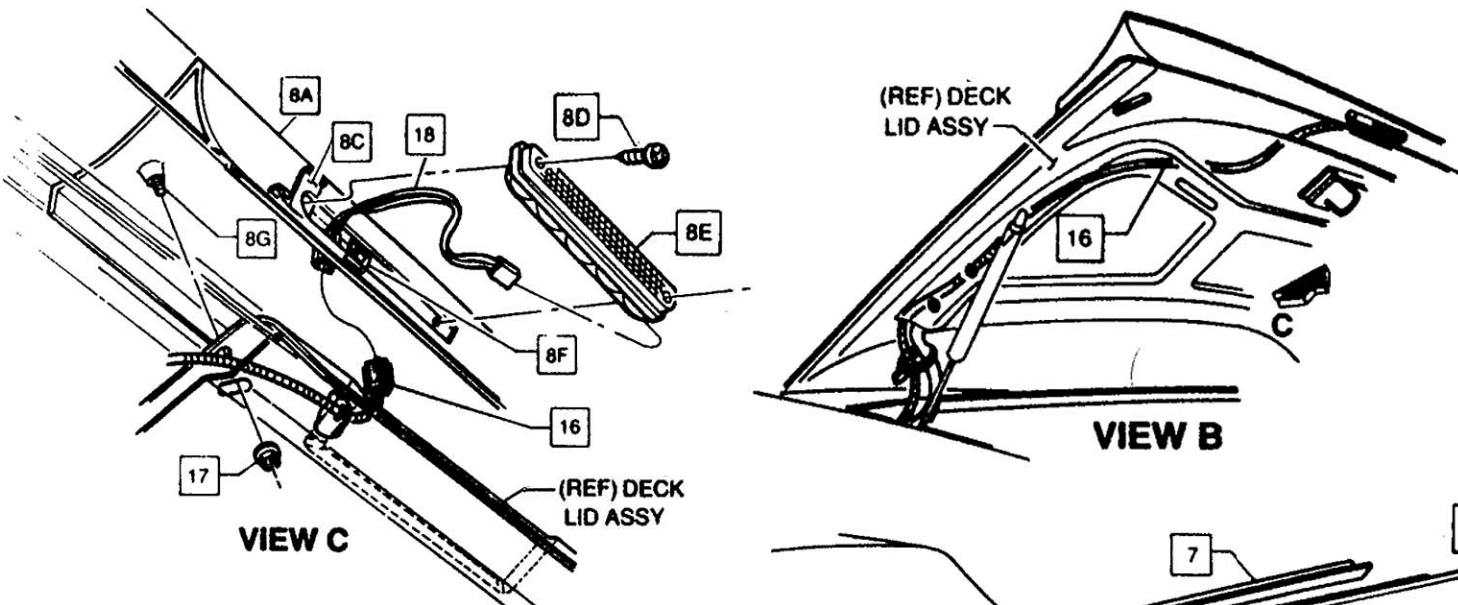
8A

DRAWING RELEASED

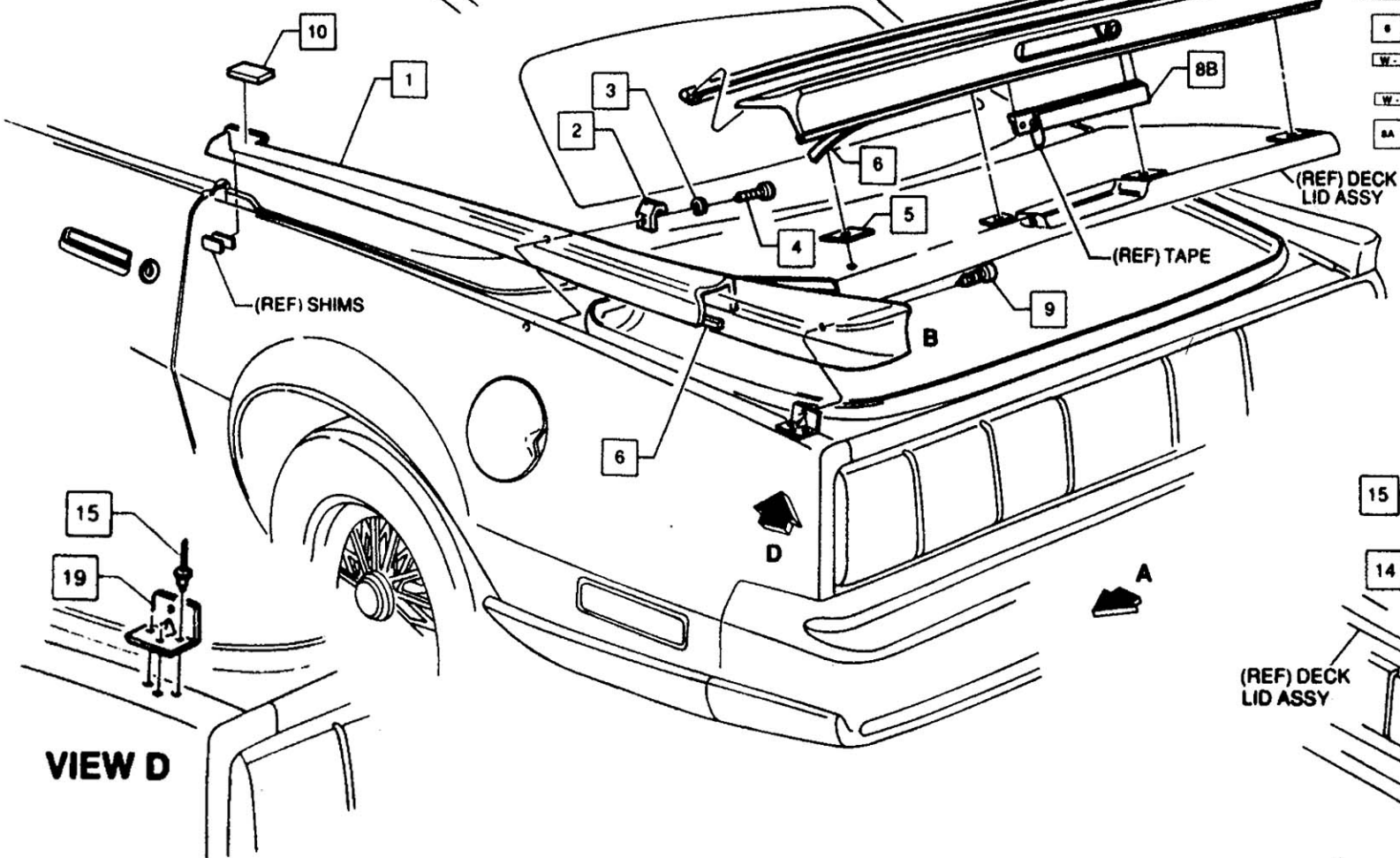
asc

1991.5 "F" BODY CONVERTIBLE
SPOILER AND QUARTER BELT MOLDING ASSEMBLY (CAMARO)

A-27X0-4960-AXXY SHFFT 6E



Ref	ASC Part No	Description	GM
1	A - 2700 - 0430	CAP - QTR BELT MLDG (RH)	12010912
2	A - 2700 - 0431	(LH)	12010912
3	T - 2700 - 2979	JUMPER - DECK LID PANEL STABILIZER	12321747
4	X - 0090 - 0907 - KXFX	WASHER	114006 L/F
5	X - 0090 - 1864 - KZFX	SCR & WSHR ASSY (8 - 18 x 1.25)	12005201
6	X - 0090 - 0375 - AXFX	SOUND PAD - MORTELL	
7	X - 0090 - 0263 - CRXX	TAPE - ACRYLIC	
8	V - 2700 - 6008	WELT - SPOILER ISOLATOR	12331866
9	V - 2700 - 7985	SPOILER ASSY - DECK LID	
A	V - 2700 - 7985	SPOILER ASSY - PRIMED	
B	U - 2700 - 2272	REINF - CHMSL STRAP	
C	U - 2700 - 0518	BRKT - CHMSL MTG	
D	X - 0090 - 0084 - KXVX	SCREW (8 - 18 x 1.25)	
E	T - 2700 - 0482	LAMP ASSY - CHMSL	919072
F	X - 0090 - 0867 - KZXX	NUT - U TYPE	03634821
G	V - 2700 - 7498	BTUD ASSY - SPOILER MTG	
9	X - 0090 - 0071 - XYNX	SCR & WSHR ASSY (8 - 18 x .75)	
10	A - 2700 - 0802	PROTECTOR - STRIP (RH)	12509960
	A - 2700 - 0803	(LH)	12509961
11	X - 0090 - 3409 - KZDX	RIVET (1.0 x 250)	
12	V - 2908 - 3167	BRKT - EXTENSION MTG END	
13	X - 0090 - 0300 - BXXX	TAPE - POLYURETHANE	
14	T - 2104 - 8606	BRKT - ROOF CAP	12506108
15	X - 0090 - 0320 - KXKX	RIVET (1.0 x 125)	
16	U - 2700 - 0701	HARNSSS ASSY - CHMSL	12208200
17	X - 0090 - 0292 - KZXX	NUT & WSHR ASSY - CHMSL	
18	A - 2700 - 0337	HARNSSS - JUMPER WIRE CHMSL	
19	W - 2700 - 3723	BRKT - QTR BELT MLDG CAP RR	12504764



SERVICE ONLY

W - 2700 - 8563	KIT - SPOILER ATTACHMENT	12509119			
CONSISTS OF:					
W - 2700 - 8665	INSTRUCTION - SPOILER ATTACHMENT				
6	11	12	13	14	15
W - 2700 - 8564	KIT SPOILER W/ATTACHMENTS	12509368			
CONSISTS OF:					
W - 2700 - 8563	KIT - SPOILER ATTACHMENTS	12509119			

DRAWING RELEASED

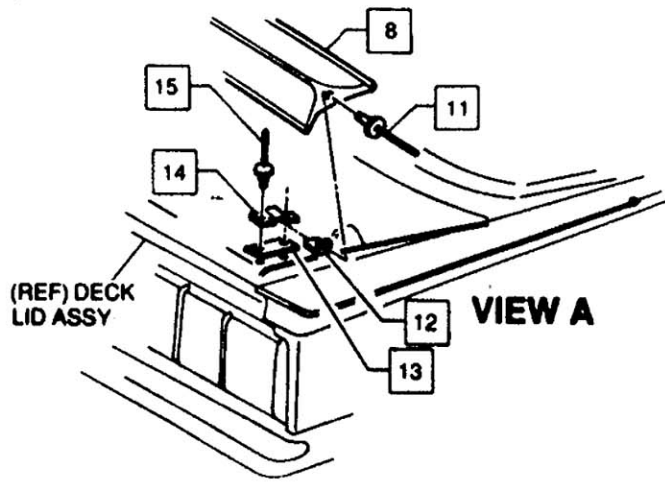
PCR LET REVISIONS DATE DR CR APP

asc AND Incorporated
Graphic & Design
Engineering & Mfg.
Spartanburg, SC 29593

1991.5" BODY CONVERTIBLE
SPOILER AND QUARTER BELT MOLDING ASSEMBLY (PRIMED)

A-2700-4960-AXXX SHEET 6F

APPROVED BY: S. BARNHORN



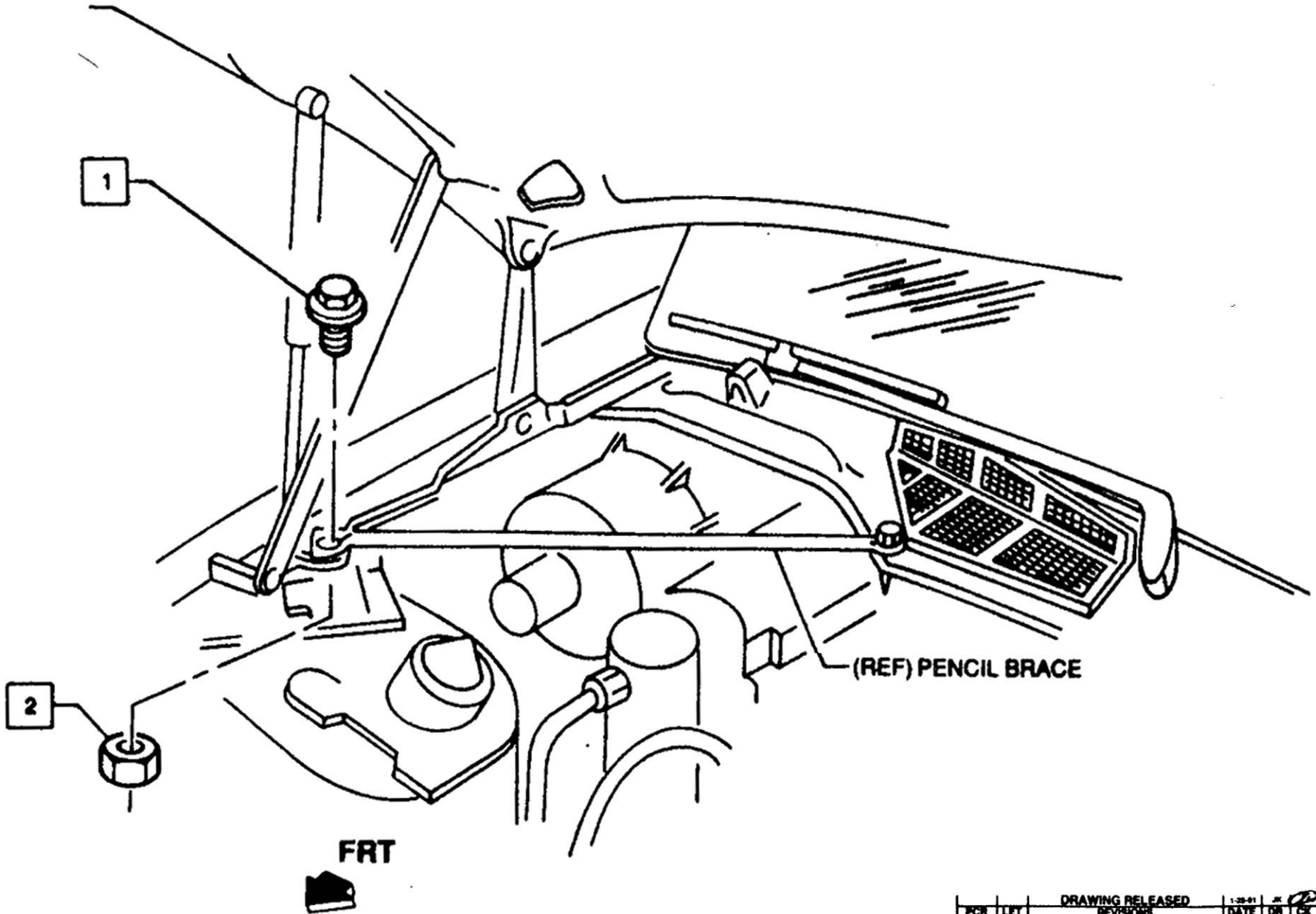
VIEW D


VIEW B

VIEW C

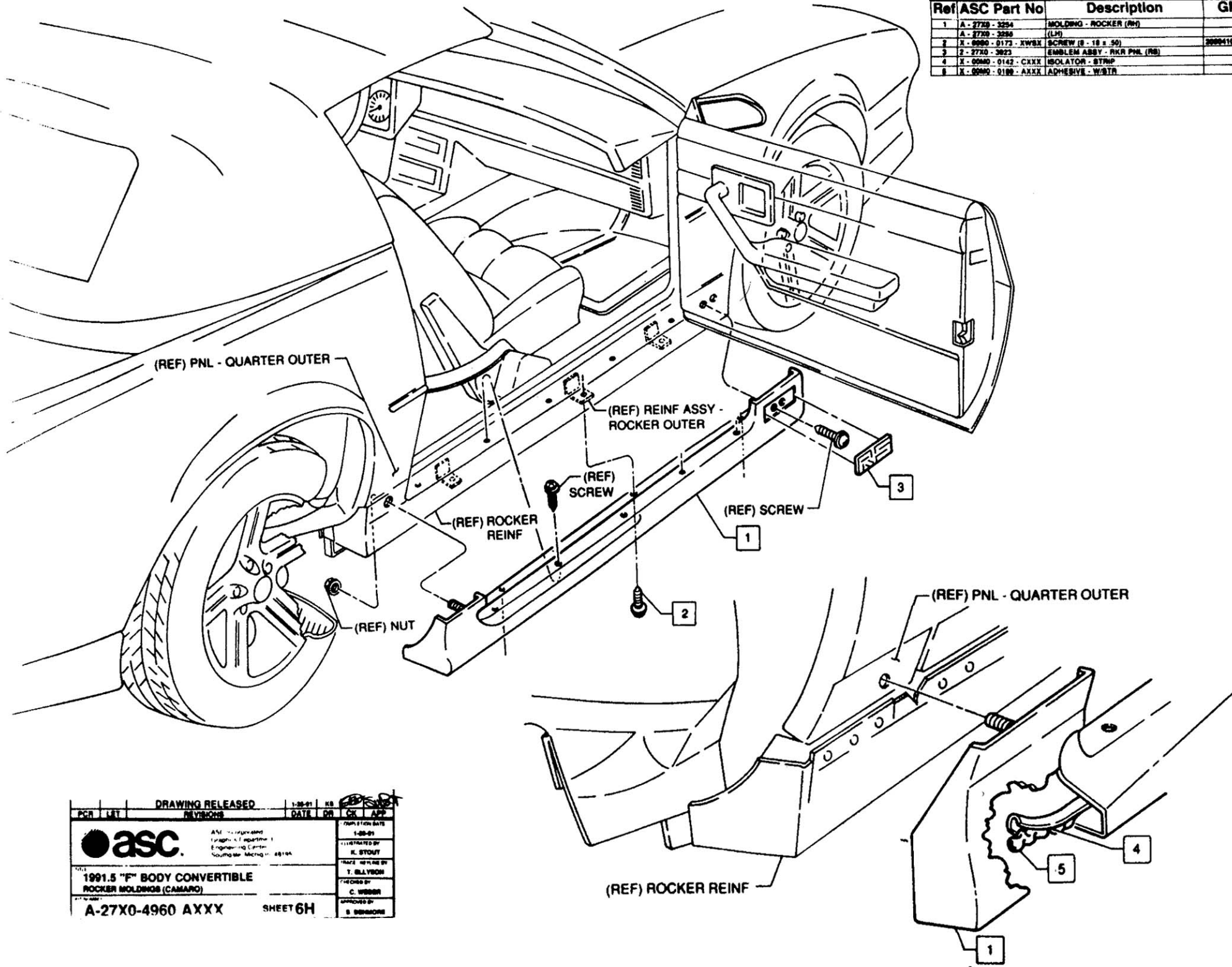
VIEW A

Ref	ASC Part No	Description	GM
1	X-0060-0924-XWYX	SCR & WSHR ASSY (M6 x 1.0 x 14.0)	12505308
2	X-0090-1450-XWNX	NUT & WSHR ASSY	11295329

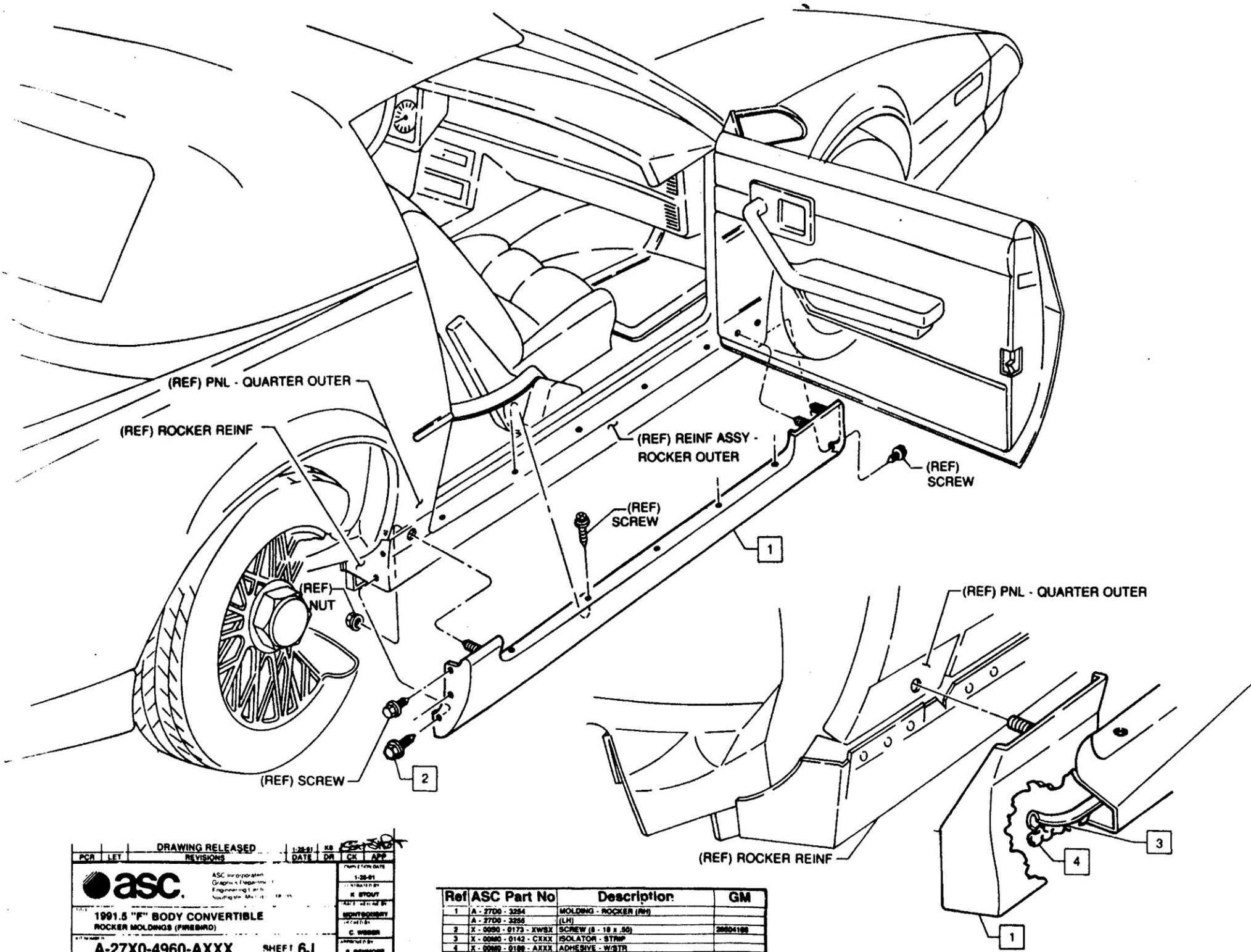


DRAWING RELEASED		1-28-91	JR
FOR LRT	REVISIONS	DATE	CHK APP
 ASC Incorporated Graphics Department Engineering Center Warrendale, Michigan 48090		1-28-91	CK LAPP
TITLE 1991.5 "F" BODY CONVERTIBLE PENCIL BRACE INSTALLATION		DESIGNED BY J. KUBS DRAWN BY MONTGOMERY CHECKED BY C. WEBER APPROVED BY S. DEDMON	
PART NUMBER A-27X0-4960-AXXX		SHEET 6G	

Ref	ASC Part No	Description	GM
1	A-2720-3254	MOLDING - ROCKER (RH)	
	A-2720-3250	(LH)	
2	X-0090-0173-KWBX	SCREW (8 - 18 x 50)	20004100
3	Z-2720-3023	EMBLEM ASSY - RKR PNL (RH)	
4	X-0090-0142-CXXX	ISOLATOR - BTRHP	
5	X-0090-0100-AXXX	ADHESIVE - W/BTR	



DRAWING RELEASED		1-20-01	RS
PCR	LET	DATE	DR
REV		CHK	APP
		FROM 1 FORM 4875 1-88-01 ILLUSTRATED BY K. STOUT MADE BETTER BY T. BLAYSON CHECKED BY C. WEBER APPROVED BY S. SHERWOOD	
1991.5 "F" BODY CONVERTIBLE ROCKER MOLDINGS (CAMARO)			
A-27X0-4960 AXXX		SHEET 6H	



DRAWING RELEASED

PCR	LET	REVISIONS	DATE	DR	CK	APP
			1-28-91			

asc ASC International
 Original Equipment
 Engineering & Manufacturing

**1991.5 "F" BODY CONVERTIBLE
 ROCKER MOLDINGS (FIREBIRD)**

A-27X0-4960-AXXX SHEET 6J

Ref	ASC Part No	Description	GM
1	A - 2700 - 3284	MOLDING - ROCKER (RH)	
	A - 2700 - 3285	(LH)	
2	X - 0090 - 0173 - KWSX	SCREW (8 - 18 x .50)	26804168
3	X - 0080 - 0142 - CXXX	ISOLATOR - STRP	
4	X - 0080 - 0188 - AXXX	ADHESIVE - W/BTR	